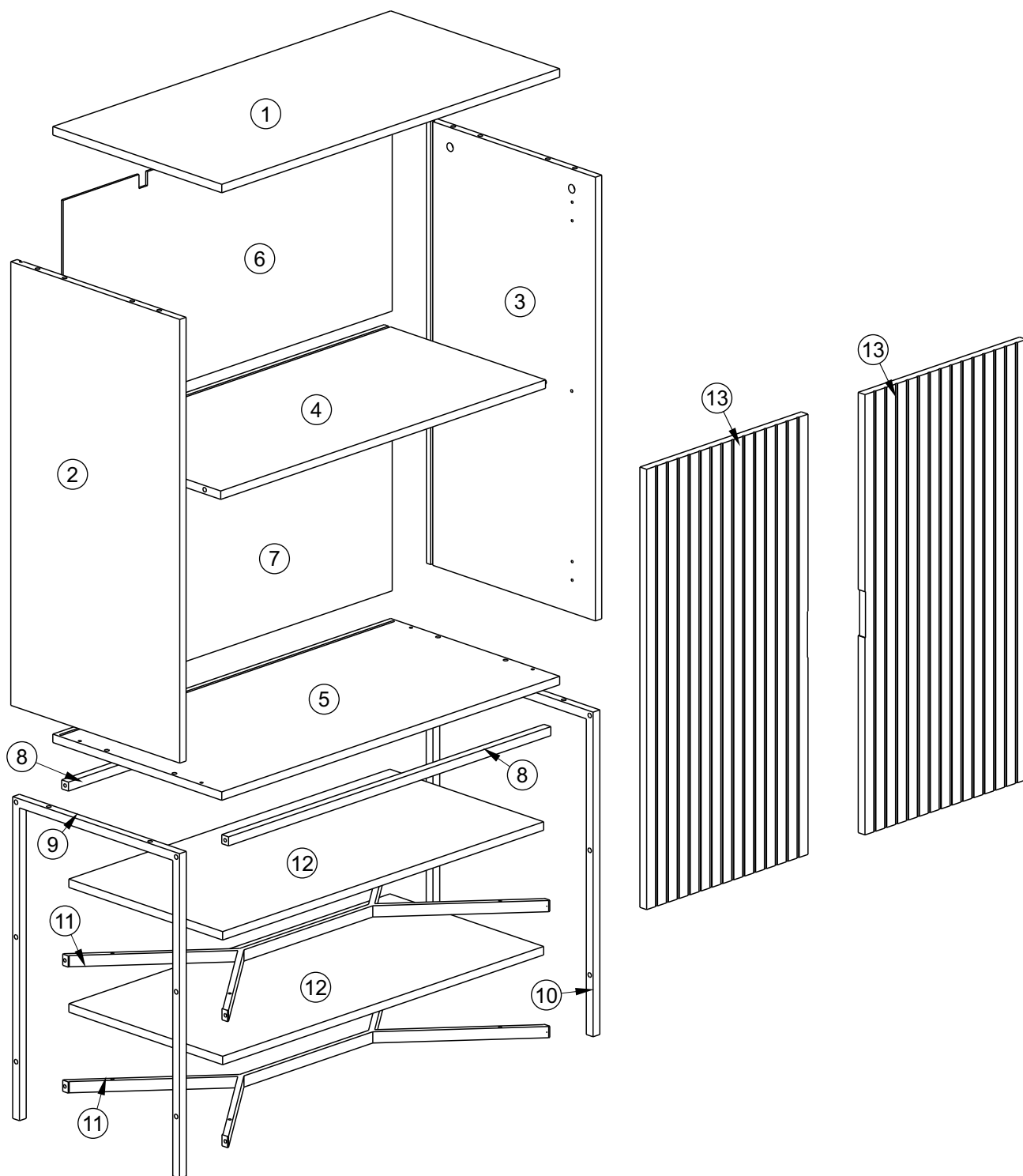
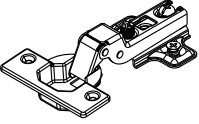
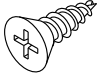
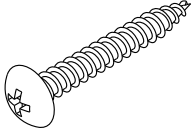
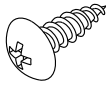
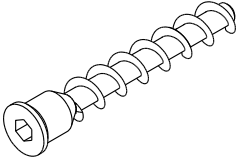
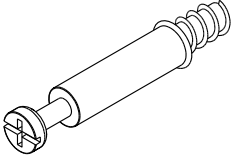
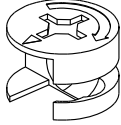
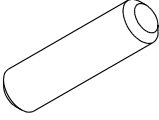
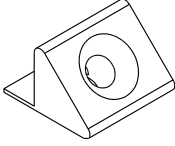
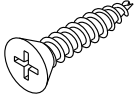
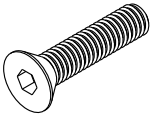
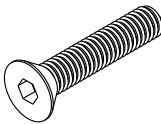
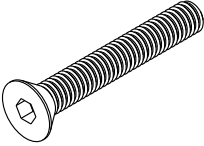
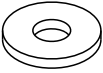
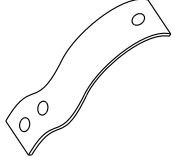
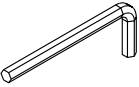

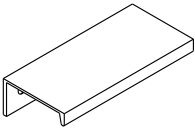
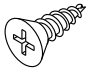




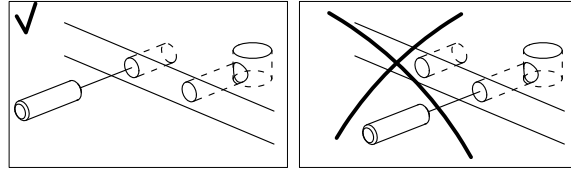
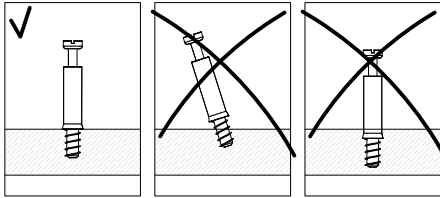
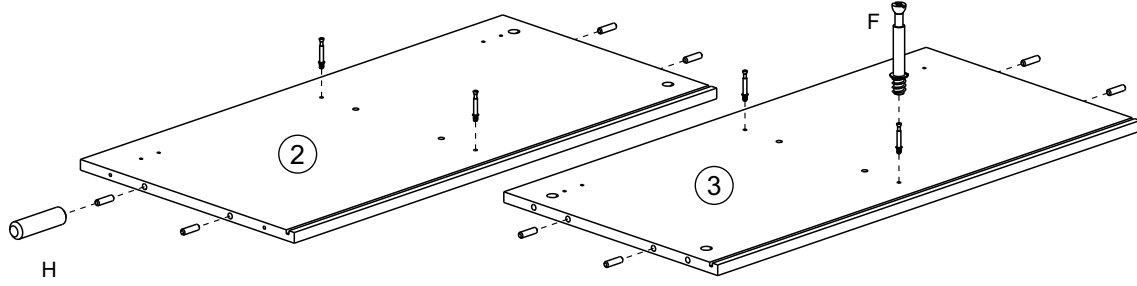
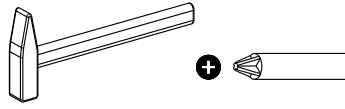
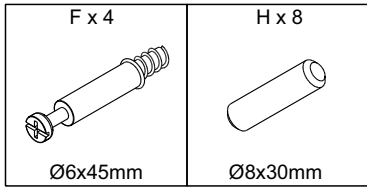
			✓
①	1	800x400x15mm	
②	1	790x400x15mm	
③	1	790x400x15mm	
④	1	769x382x15mm	
⑤	1	800x400x15mm	
⑥	1	779x398x4mm	

			✓
⑦	1	779x398x4mm	
⑧	2	764x16x16mm	
⑨	1	580x395x16mm	
⑩	1	580x395x16mm	
⑪	2	764x392x20mm	
⑫	2	760x363x15mm	
⑬	2	784x380x16mm	

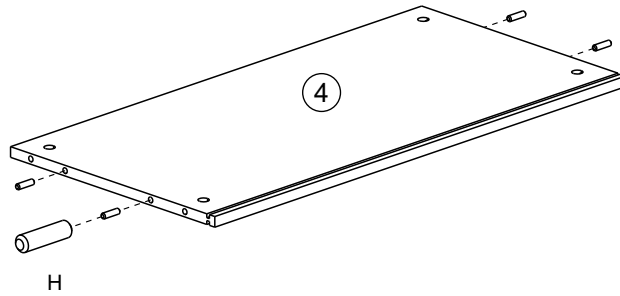
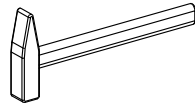
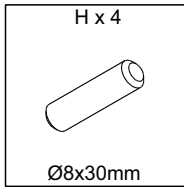


<p>A x 4</p>  <p>Ø35/FK17mm</p>	<p>B x 16</p>  <p>Ø5x16mm</p>	<p>C x 8</p>  <p>Ø4x30mm</p>	<p>D x 4</p>  <p>Ø4x14mm</p>	<p>E x 4</p>  <p>Ø5x38mm</p>
<p>F x 8</p>  <p>Ø6x45mm</p>	<p>G x 8</p>  <p>Ø15x12mm</p>	<p>H x 12</p>  <p>Ø8x30mm</p>	<p>J x 8</p>  <p>15x13x10mm</p>	<p>K x 8</p>  <p>Ø3.5x20mm</p>
<p>L x 8</p>  <p>M6x22mm</p>	<p>M x 4</p>  <p>M6x25mm</p>	<p>N x 4</p>  <p>M6x35mm</p>	<p>P x 6</p>  <p>Ø4/Ø13mm</p>	<p>Q x 2</p> 
<p>R x 1</p>  <p>4mm</p>	<p>S x 1</p>  <p>3mm</p>	<p>T x 2</p>  <p>80x38x19mm</p>	<p>U x 4</p>  <p>Ø3.5x12mm</p>	<p>V x 4</p>  <p>Ø21mm</p>
<p>W x 2</p>  <p>Ø10mm</p>				

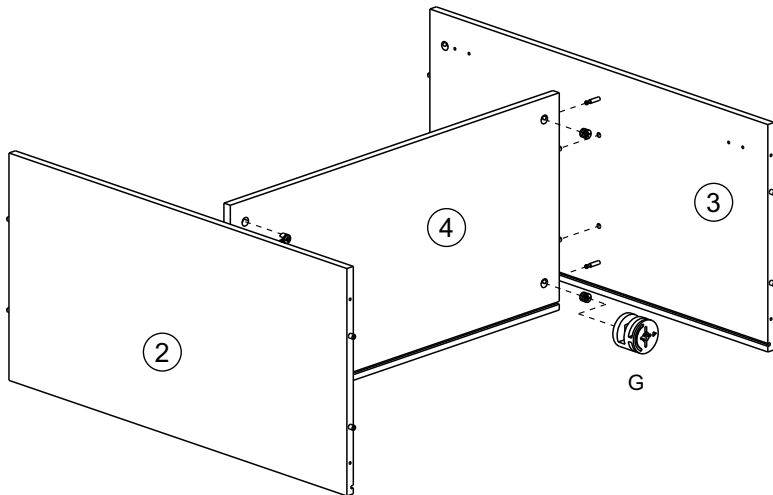
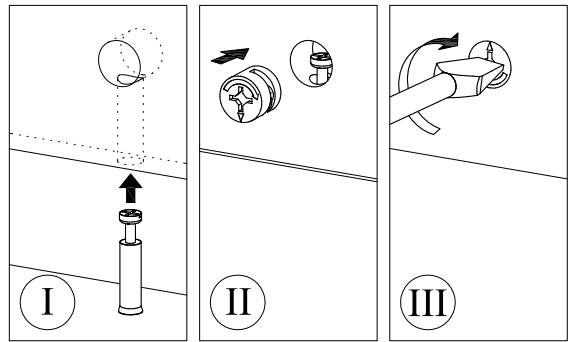
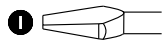
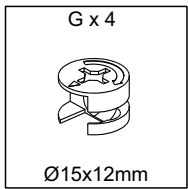
1



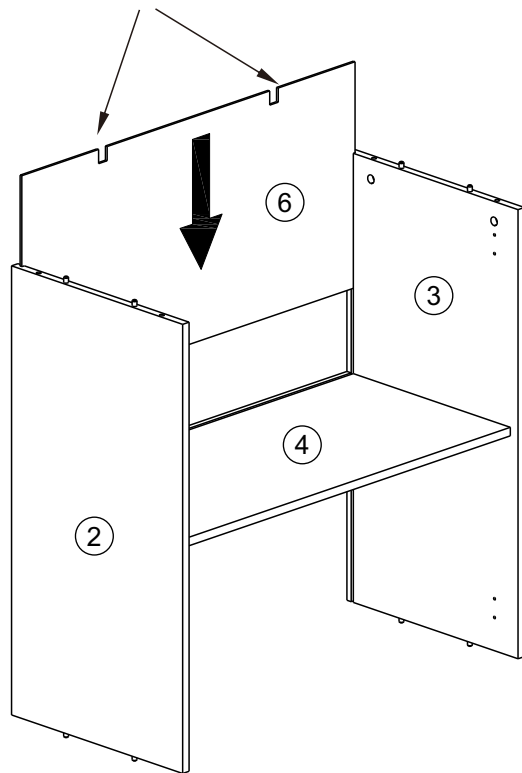
2



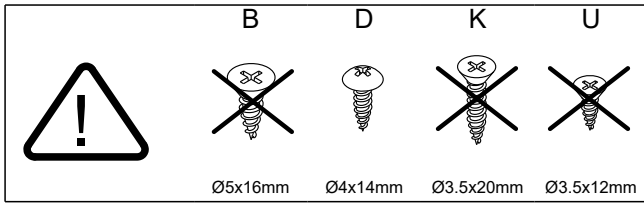
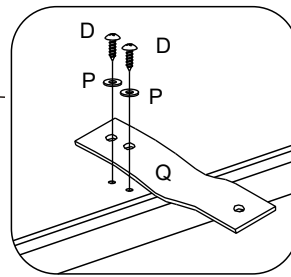
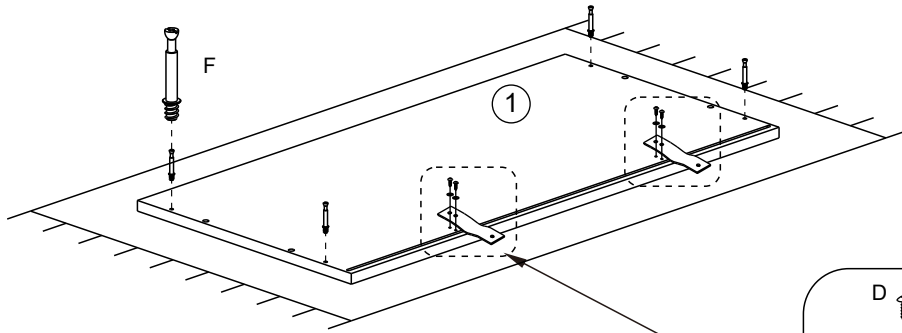
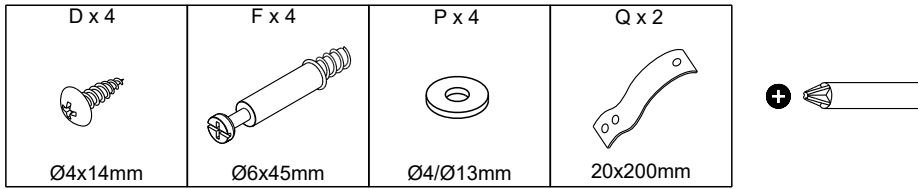
3



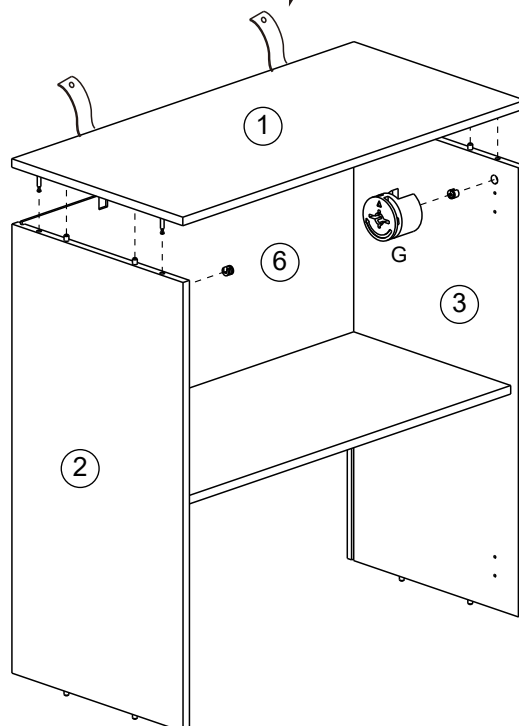
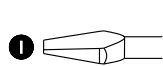
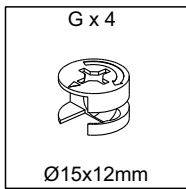
4



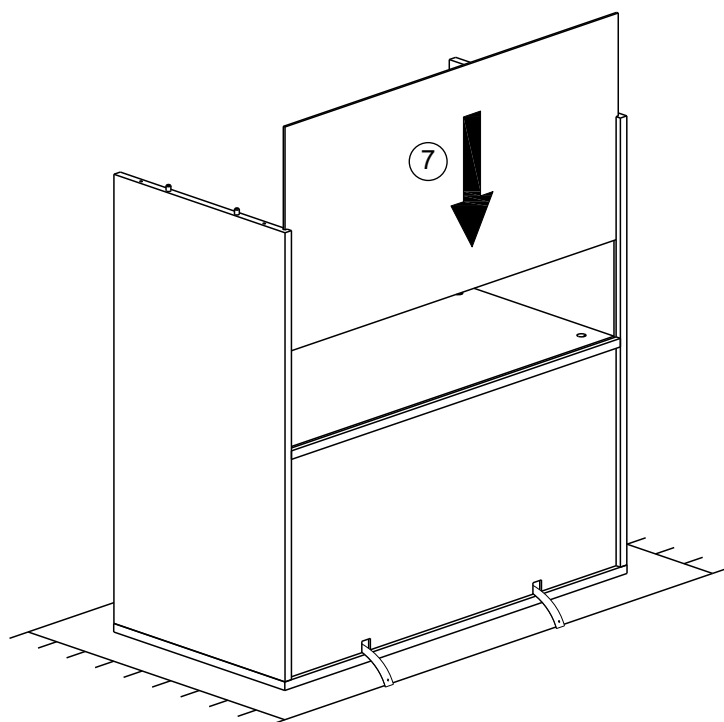
5



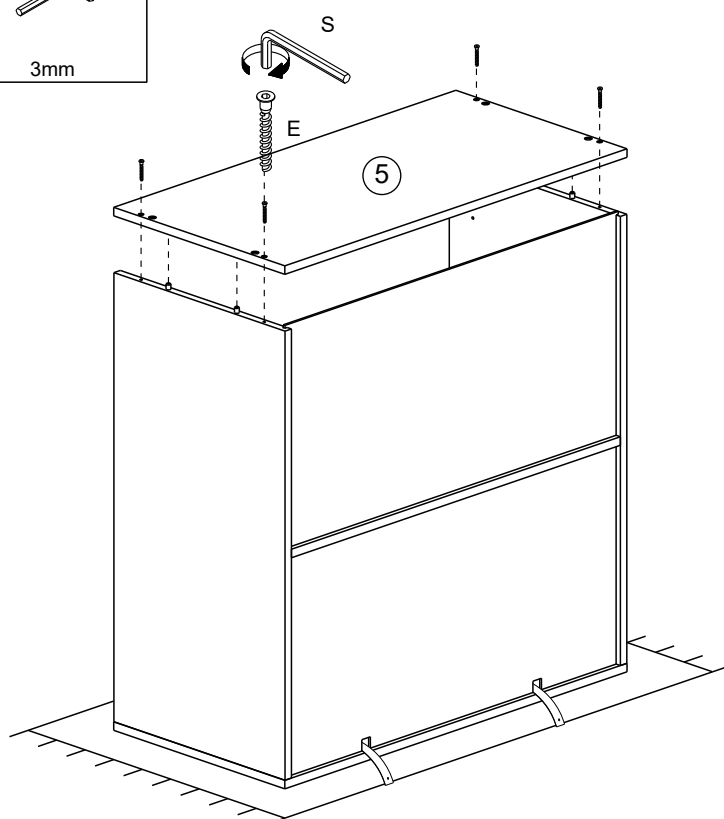
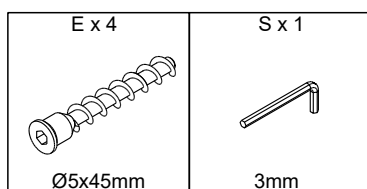
6



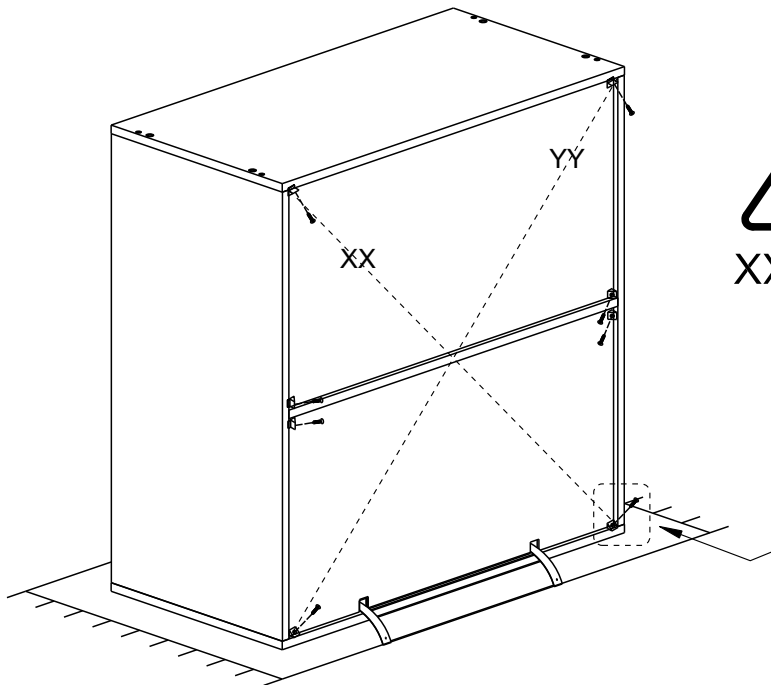
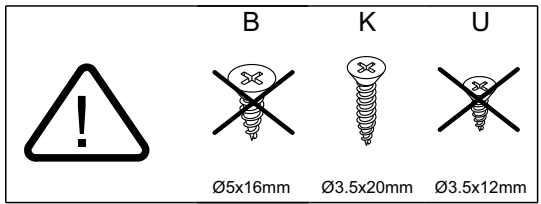
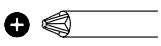
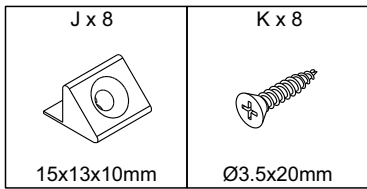
7



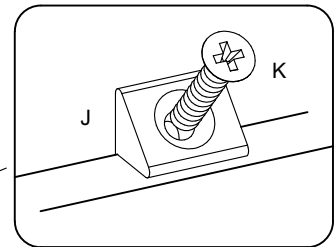
8



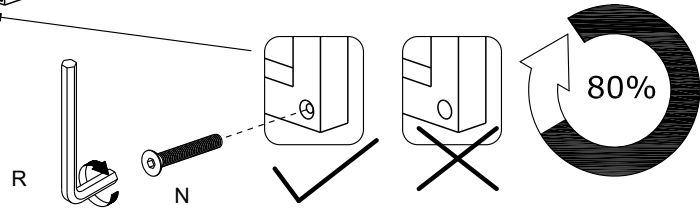
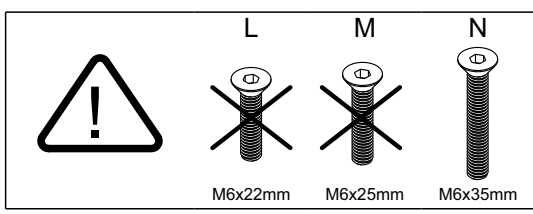
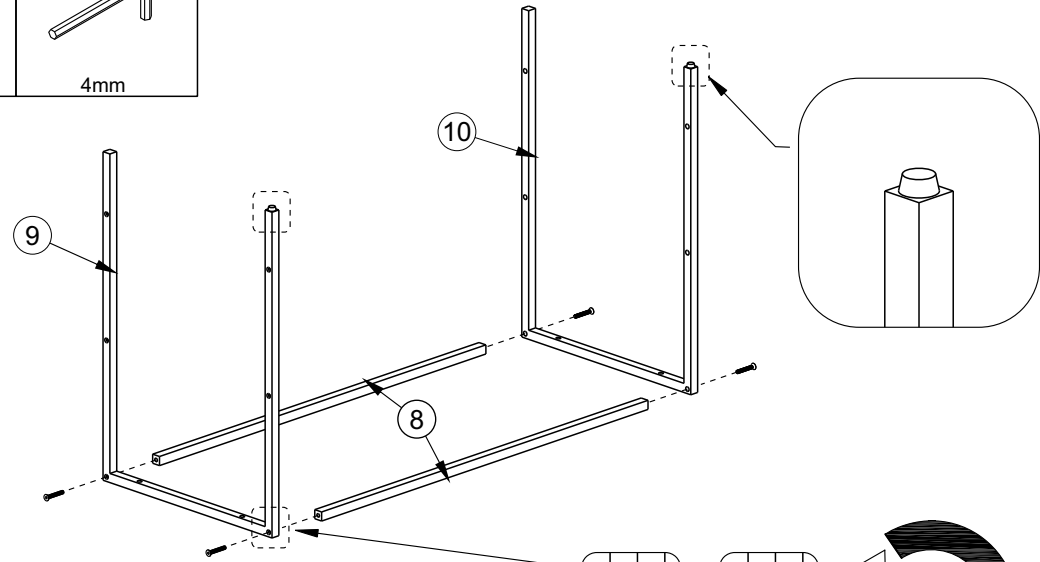
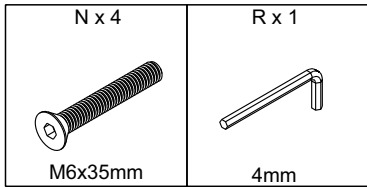
9



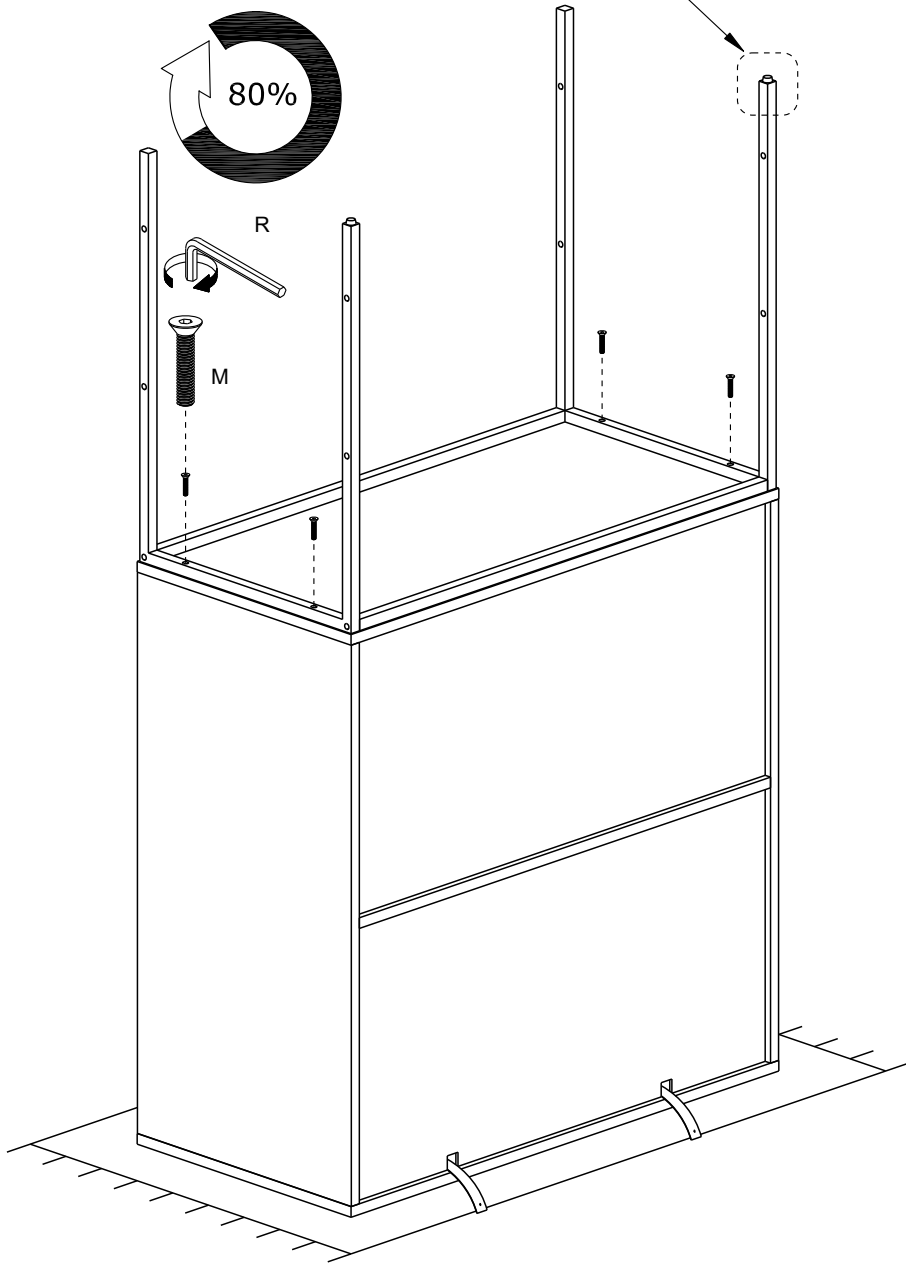
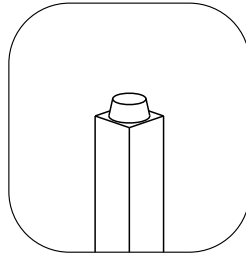
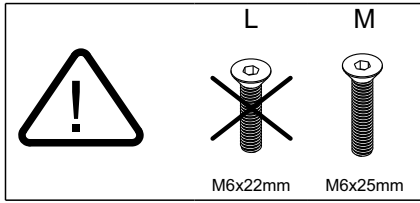
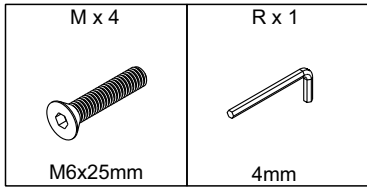

XX=YY



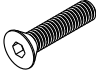

10

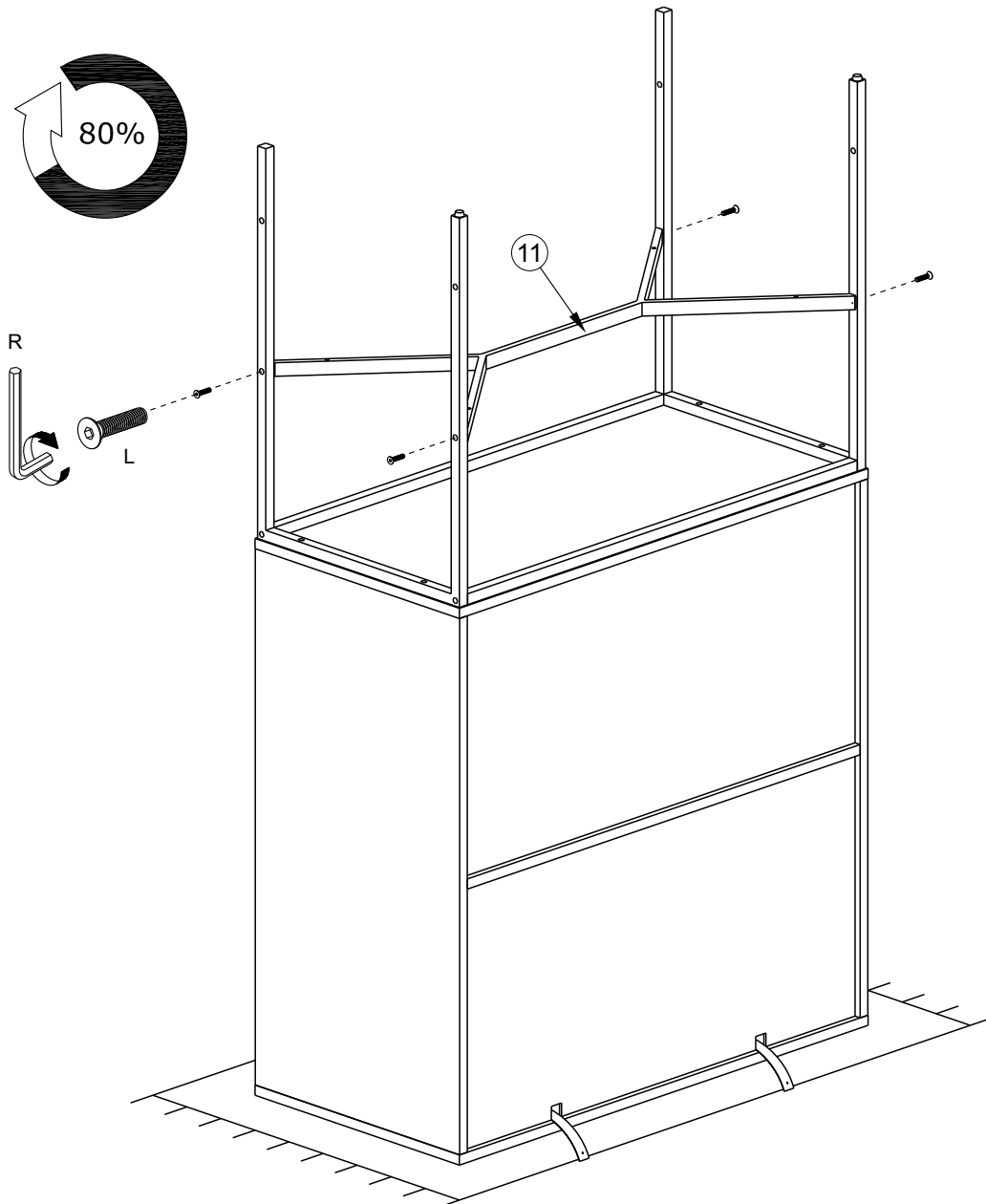
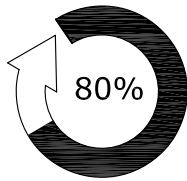
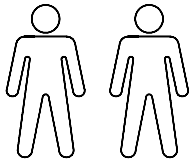


11

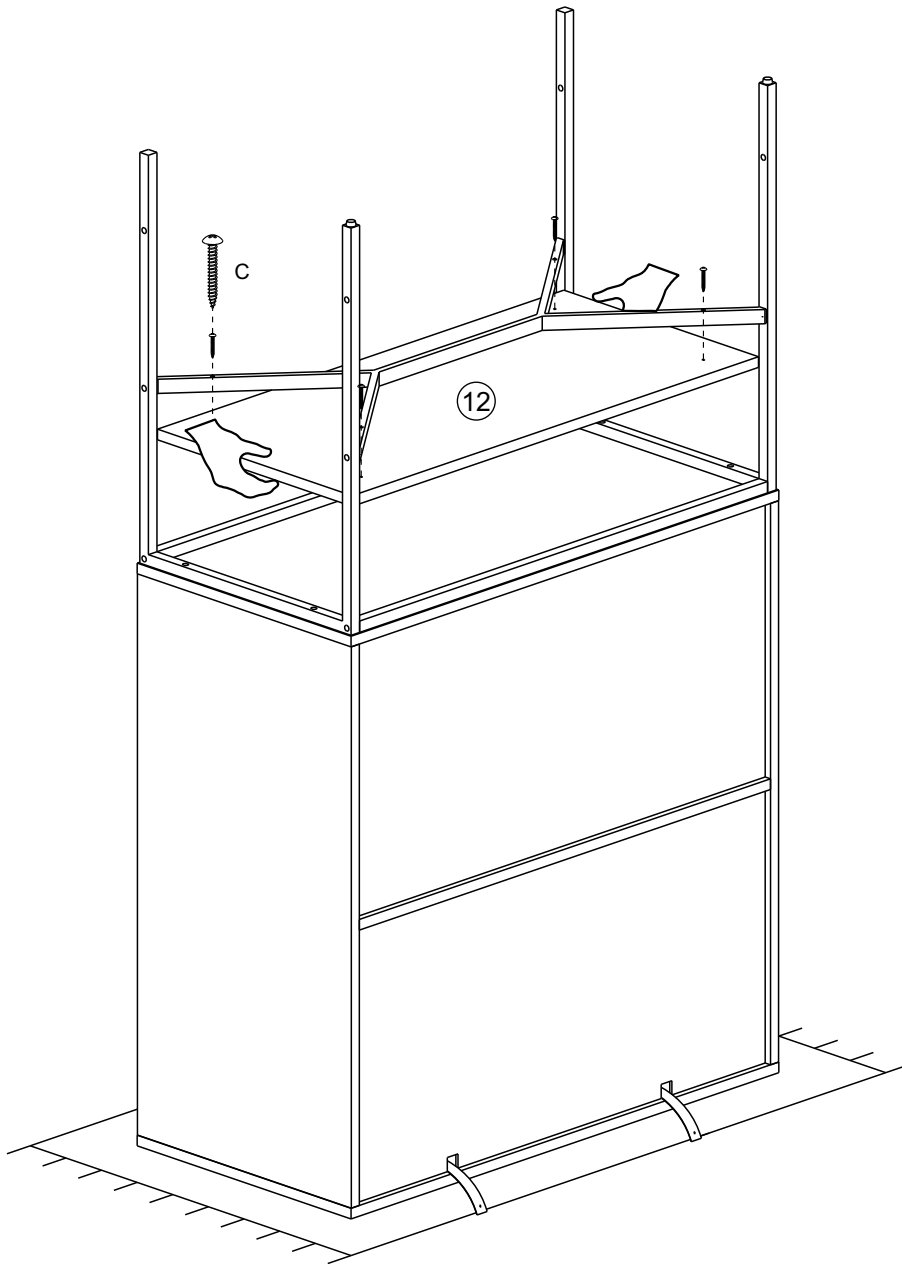
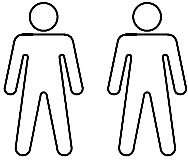
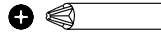
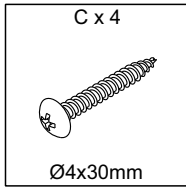


12

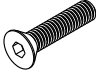

L x 4	R x 1
	
M6x22mm	4mm

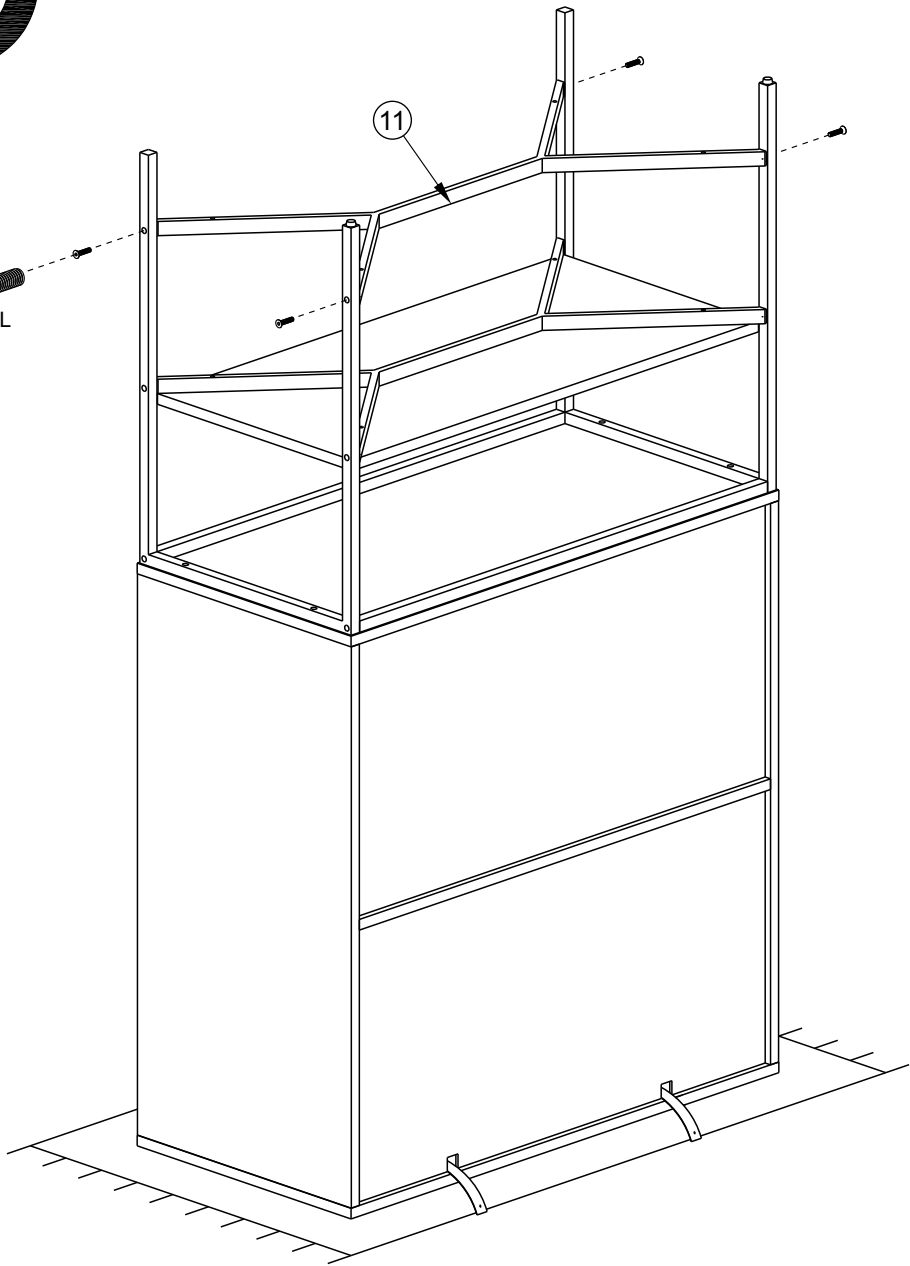
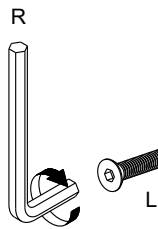
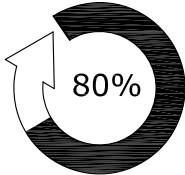
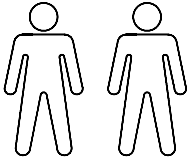


13

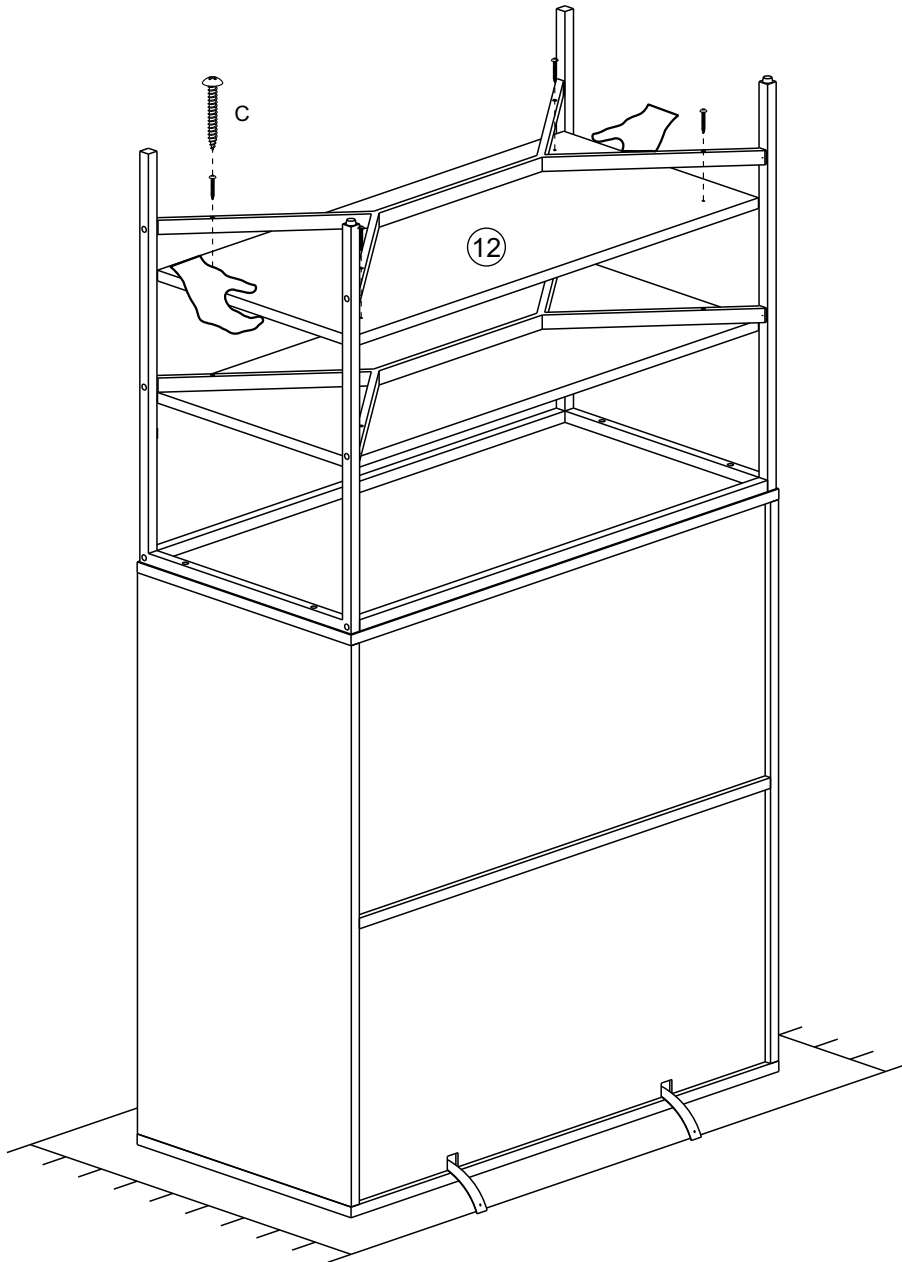
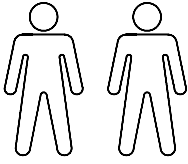
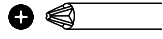
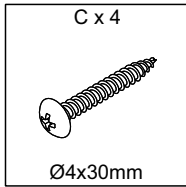


14

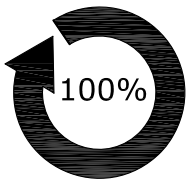
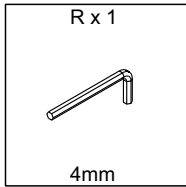
L x 4	R x 1
	
M6x22mm	4mm



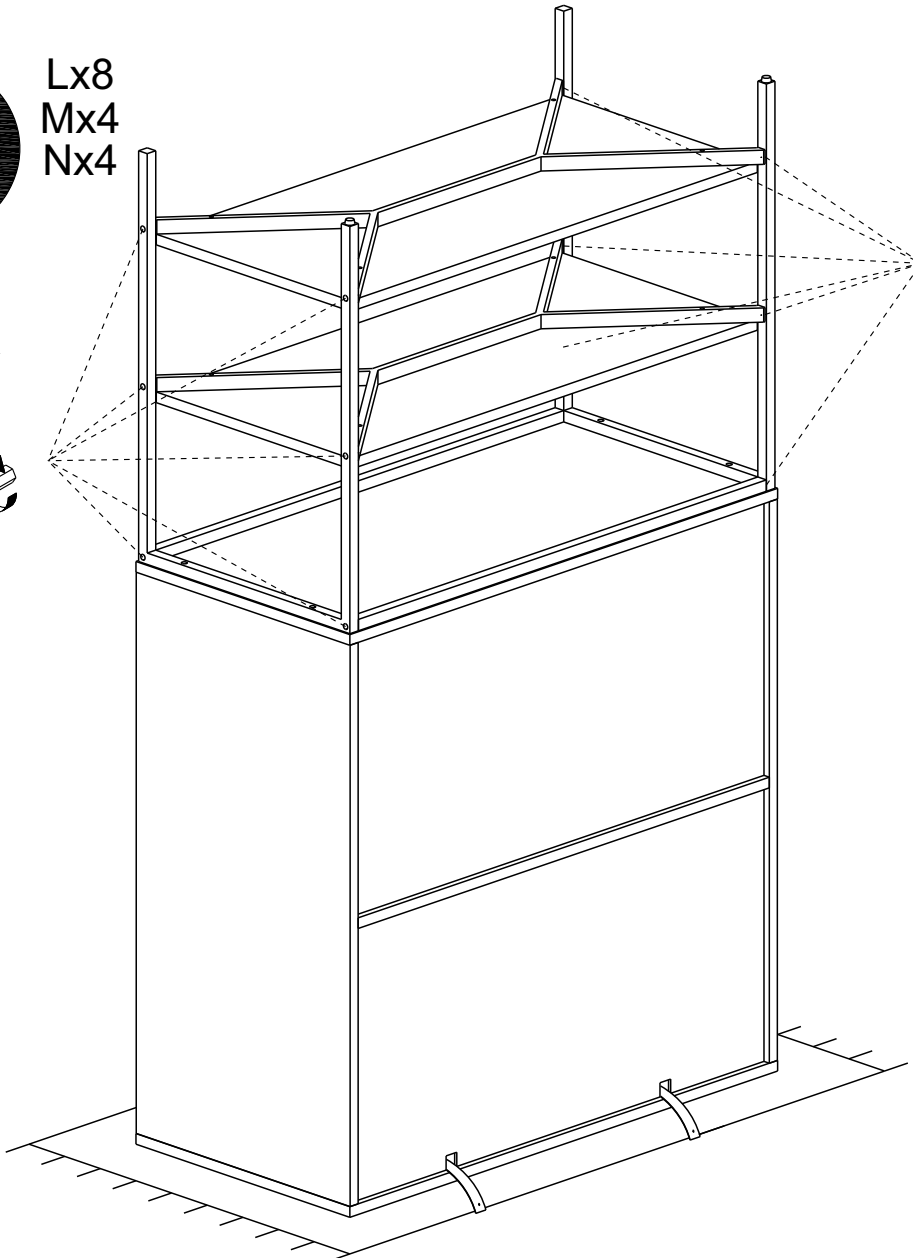
15



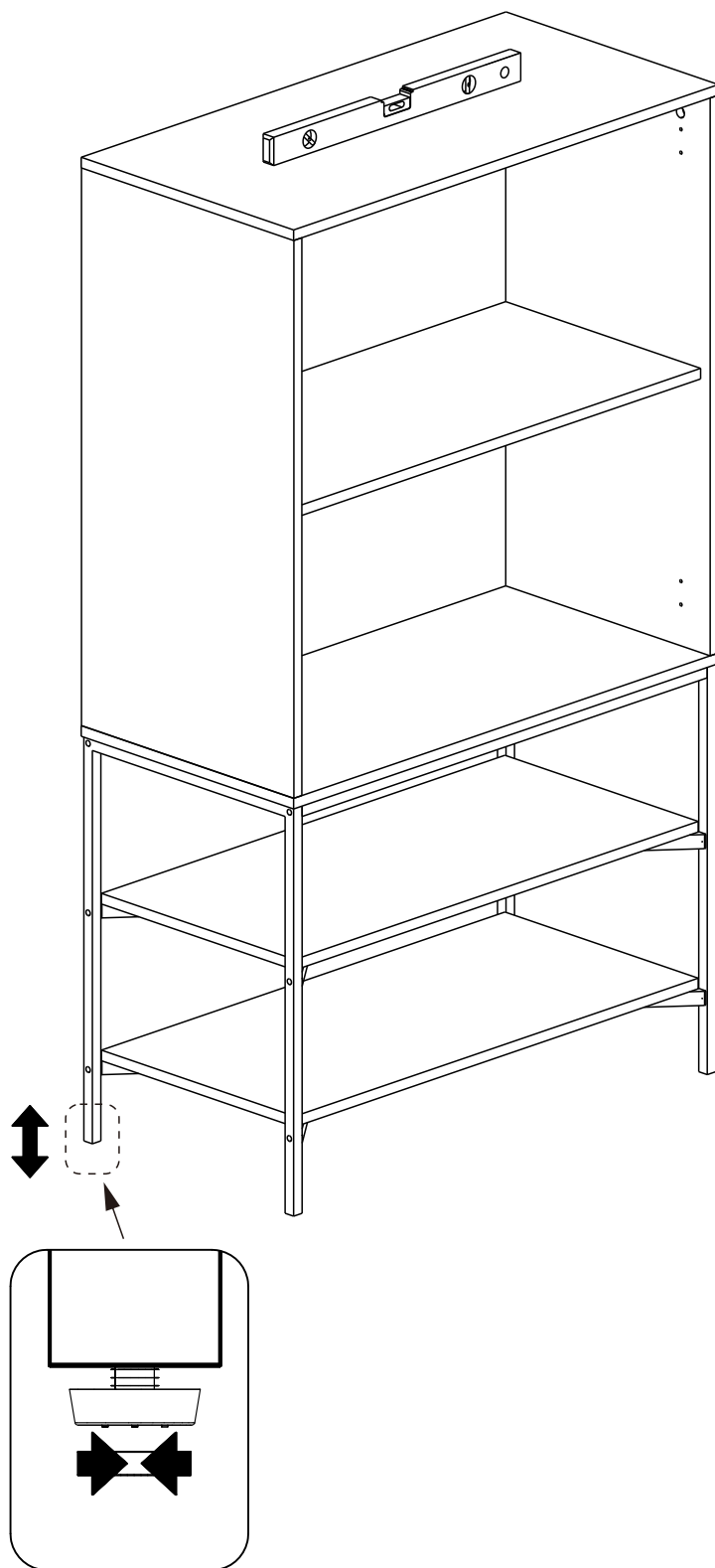
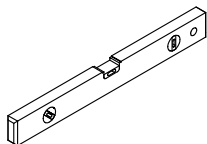
16



Lx8
Mx4
Nx4

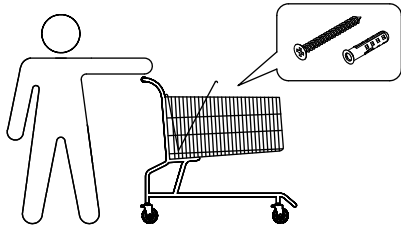
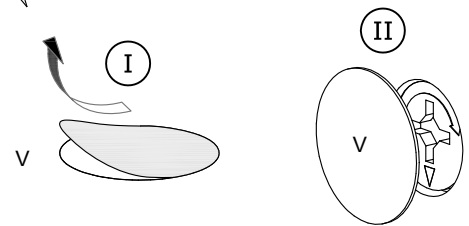
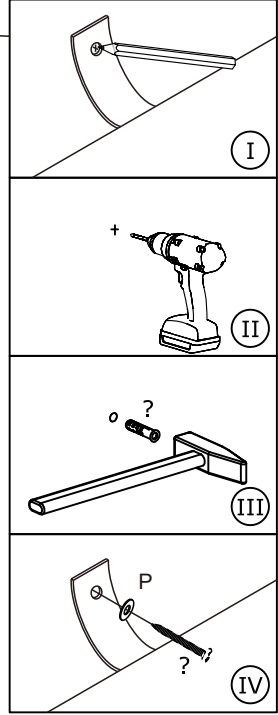
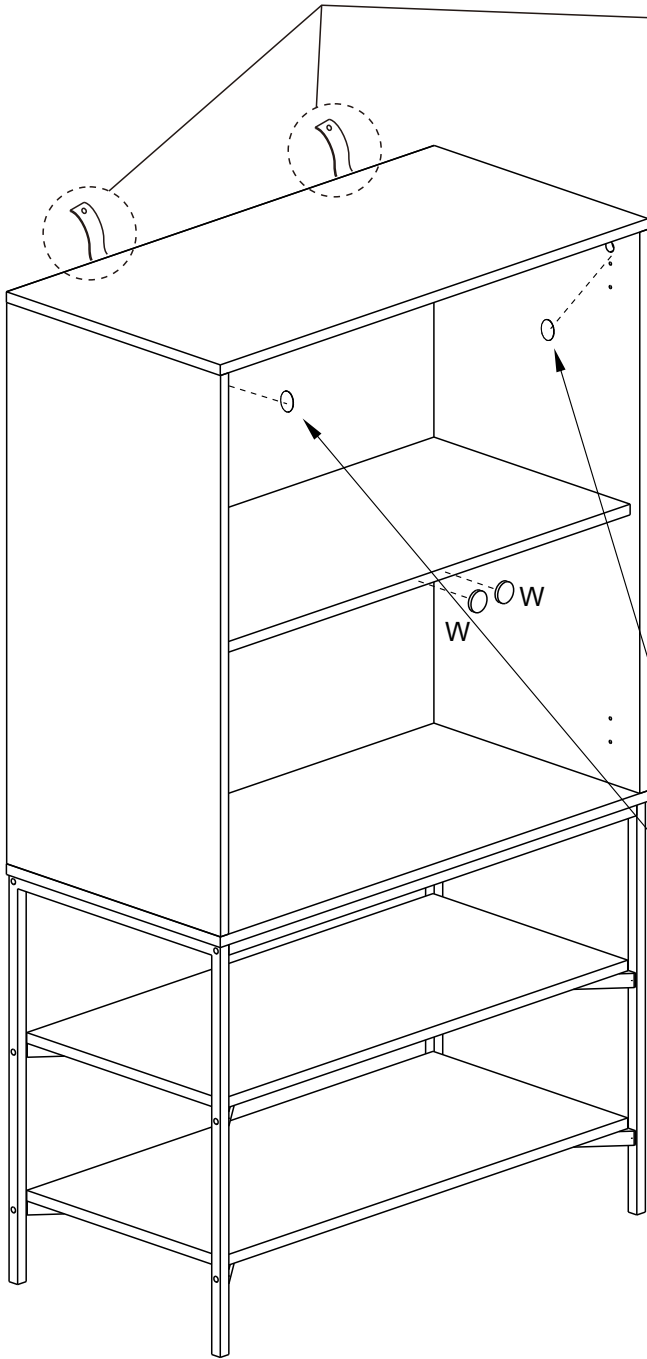
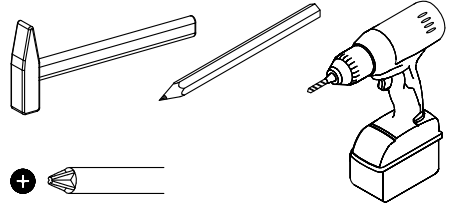


17

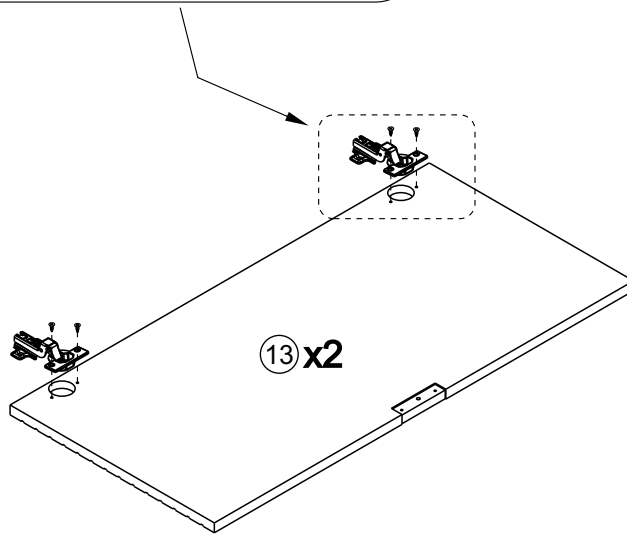
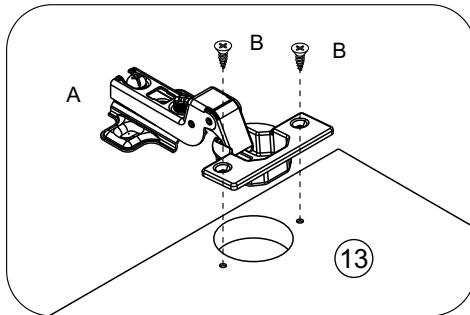
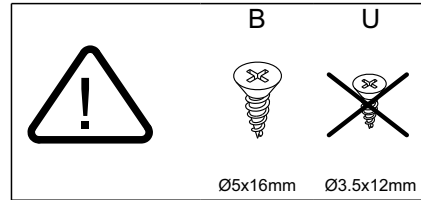
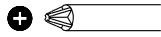
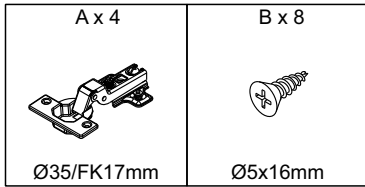


18


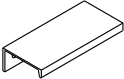

P x 2	V x 4	W x 2
Ø4/Ø13mm	Ø21mm	Ø10mm

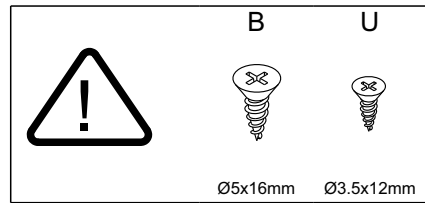
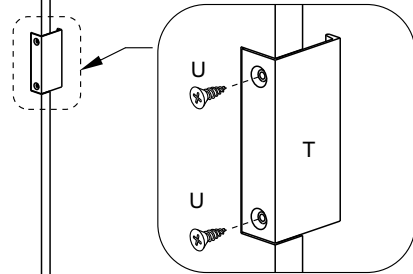
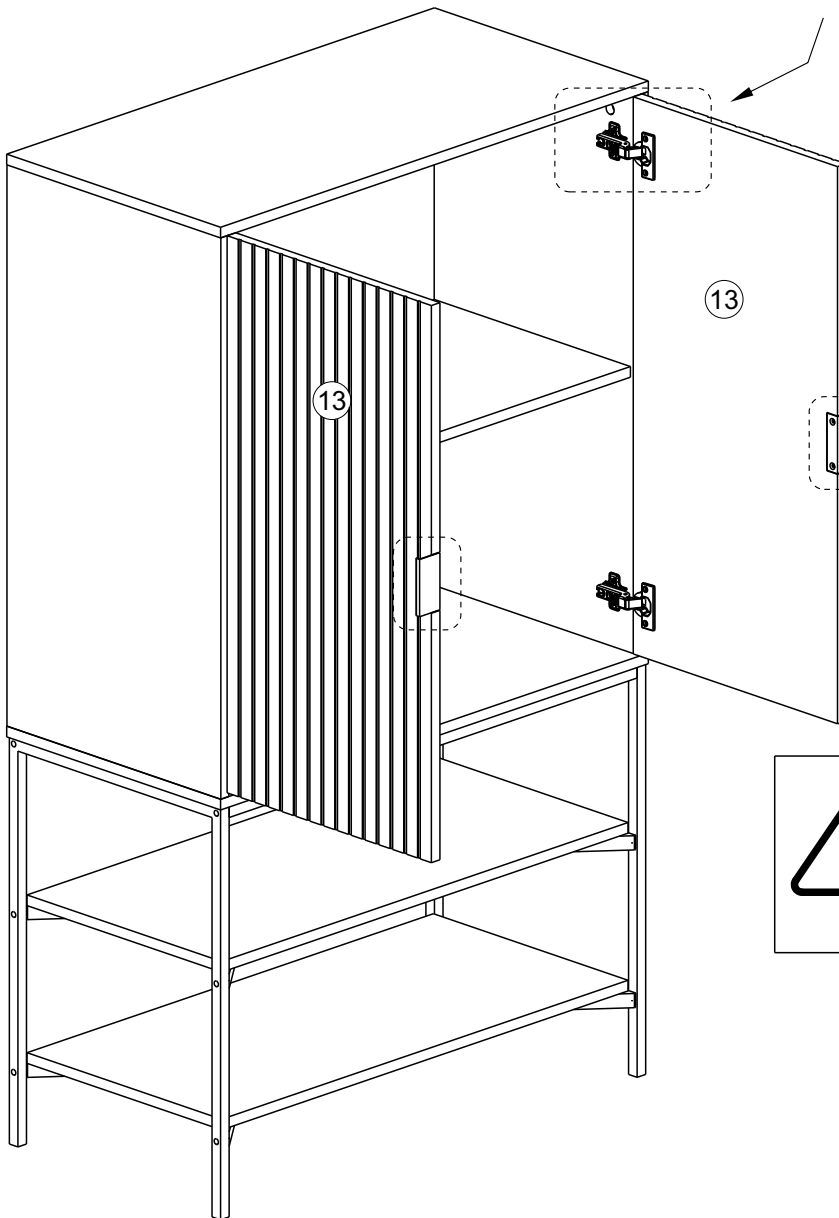
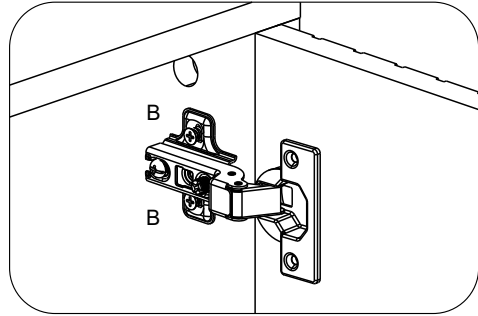
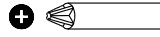


19



20

B x 8  Ø5x16mm	T x 2  80x38x19mm	U x 4  Ø3.5x12mm
---	--	---



21

