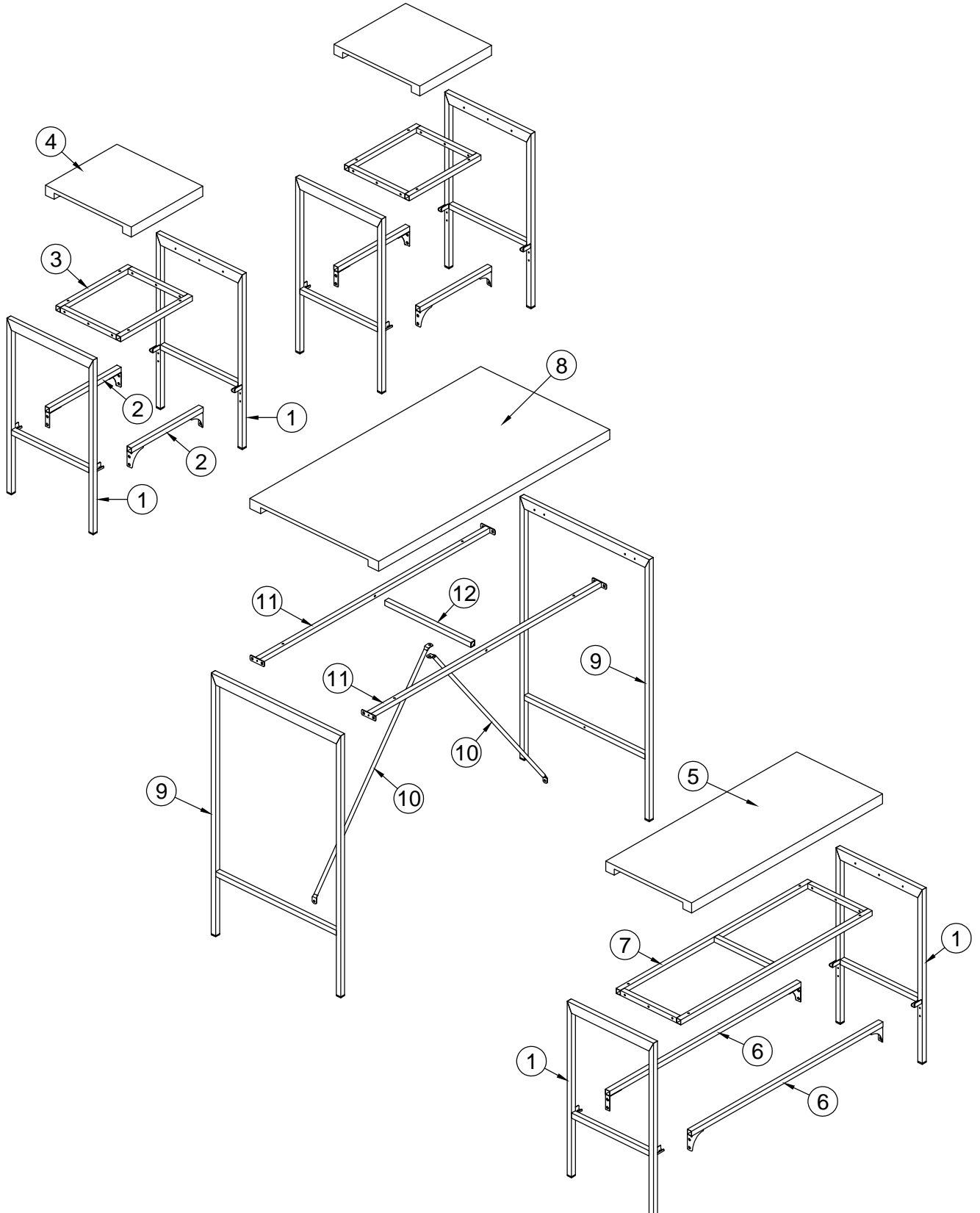
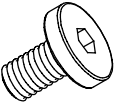
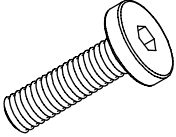
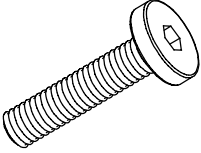
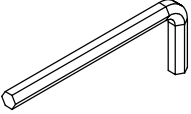


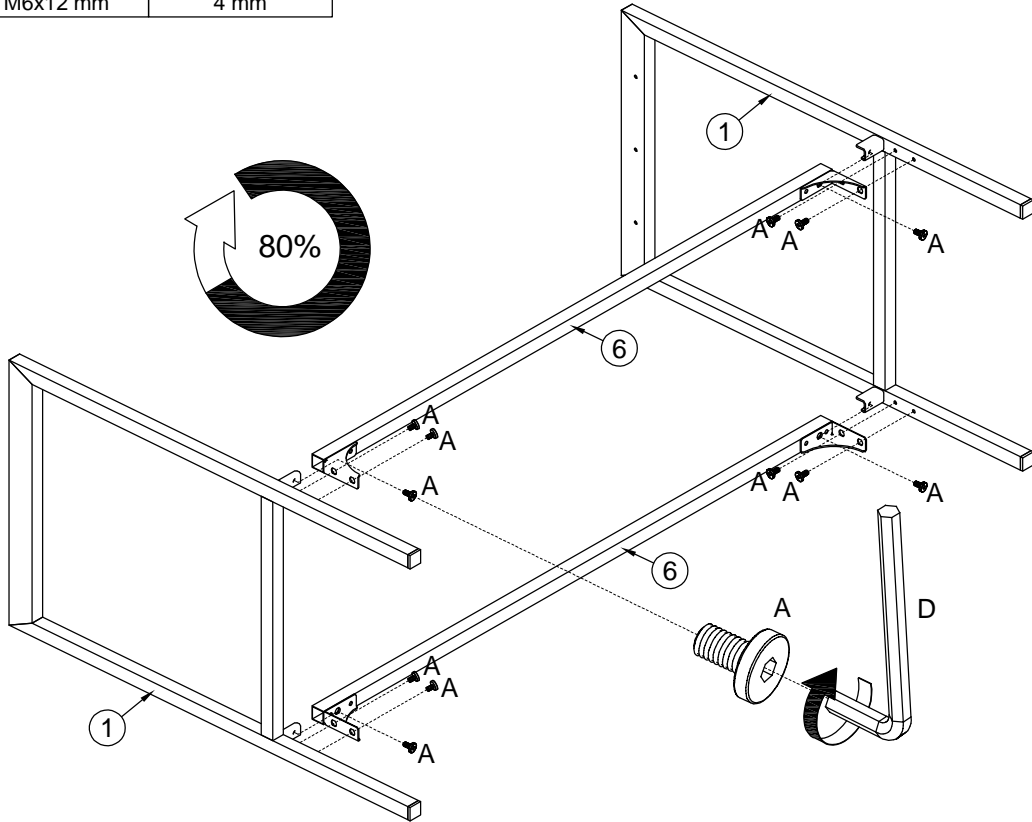
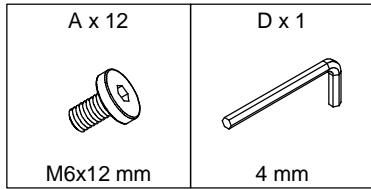
			✓
①	6	700x400x55	
②	4	360x80x20	
③	2	360x300x20	
④	2	398x359x40	
⑤	1	959x398x40	
⑥	2	960x80x20	

			✓
⑦	1	960x300x20	
⑧	1	1159x598x40	
⑨	2	1050x600x20	
⑩	2	973x25x19	
⑪	2	1160x65x20	
⑫	1	400x20x20	

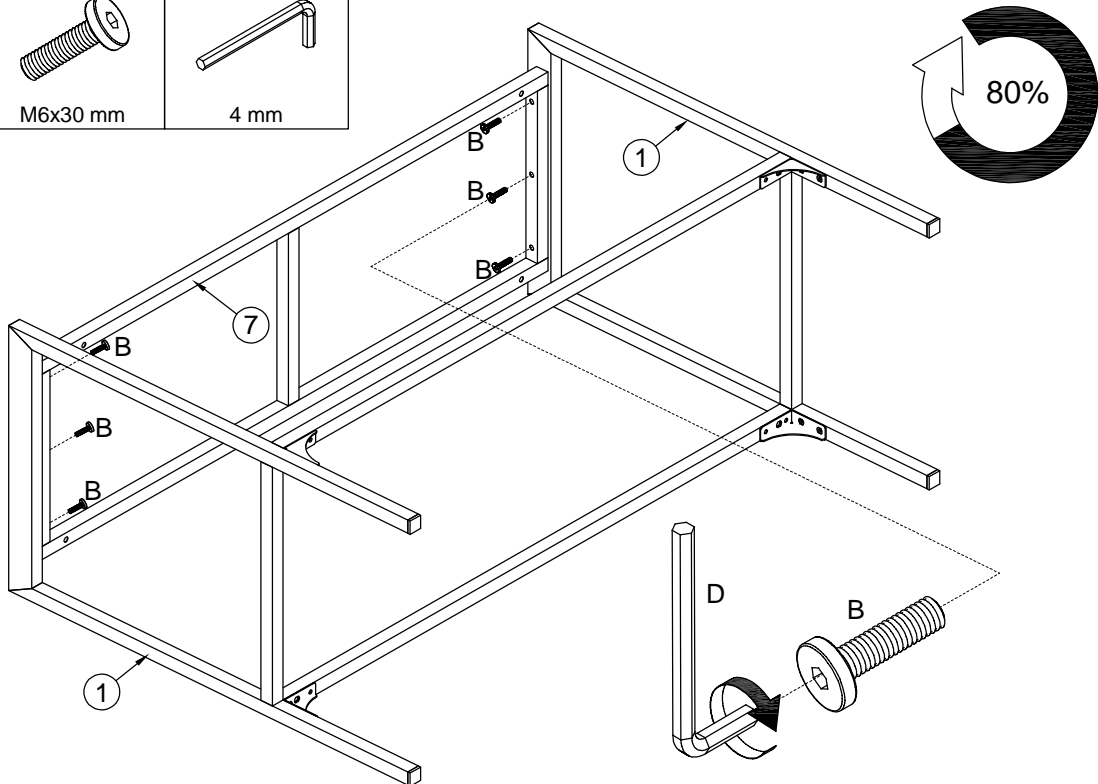
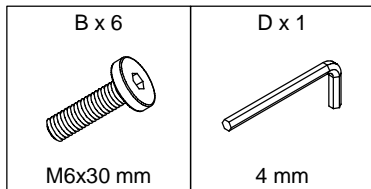


<p>A x 47</p>  <p>M6x12 mm</p>	<p>B x 34</p>  <p>M6x30 mm</p>	<p>C x 2</p>  <p>M6x40 mm</p>	<p>D x 1</p>  <p>4 mm</p>
---	---	--	---

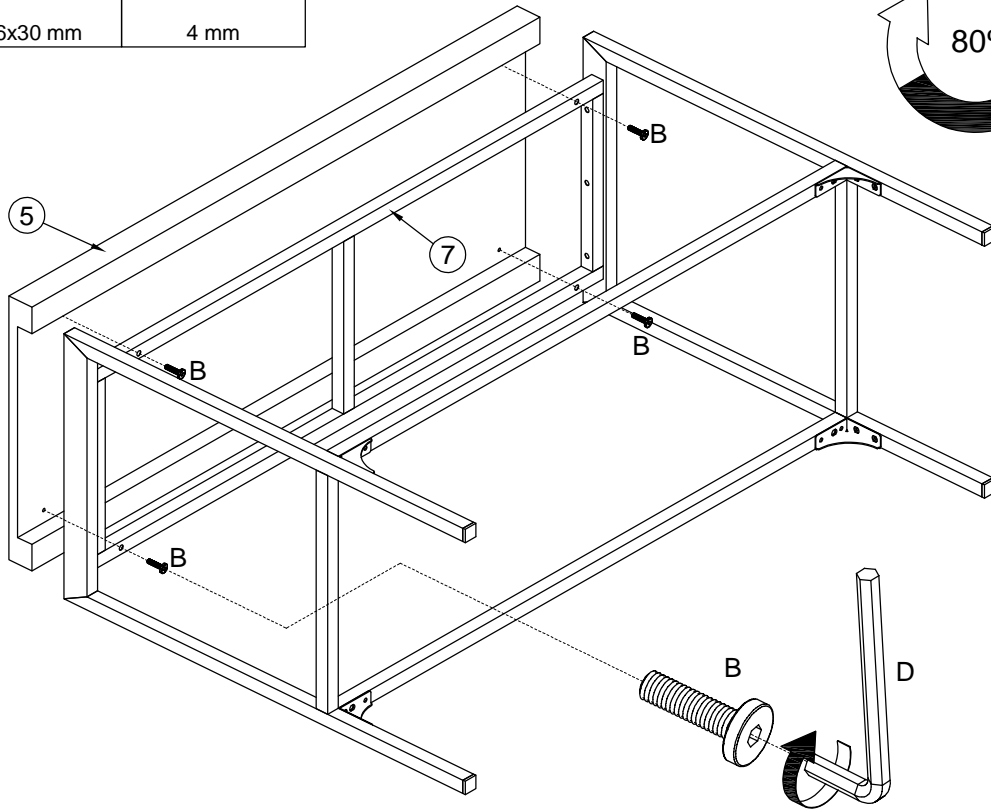
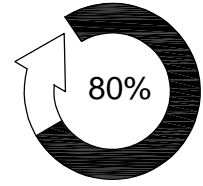
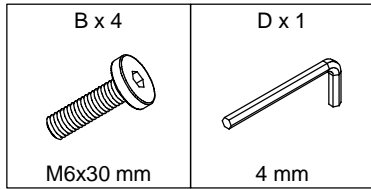
# 1



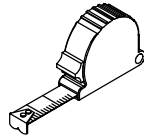
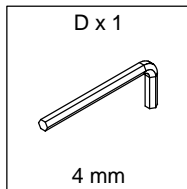
# 2



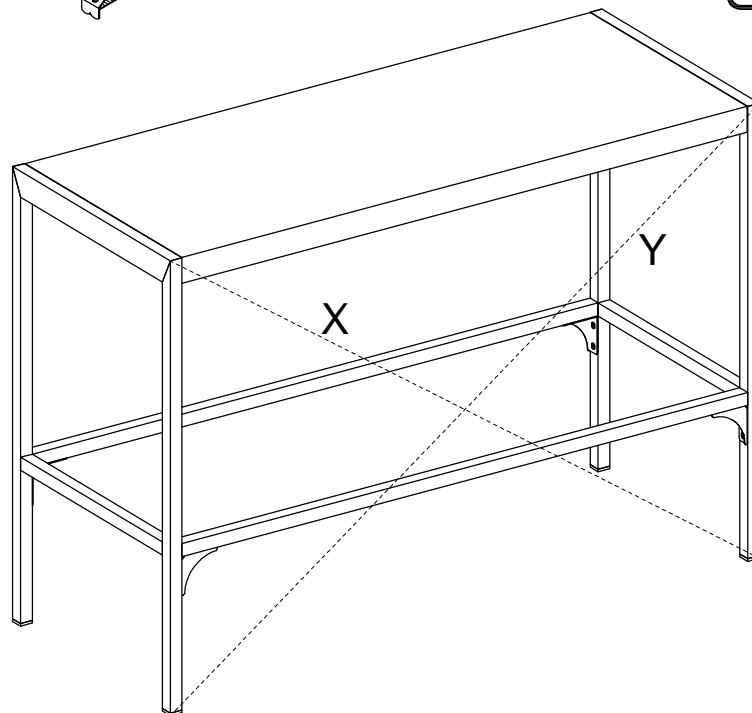
# 3



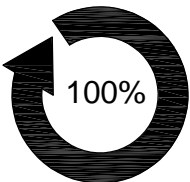
# 4



X=Y

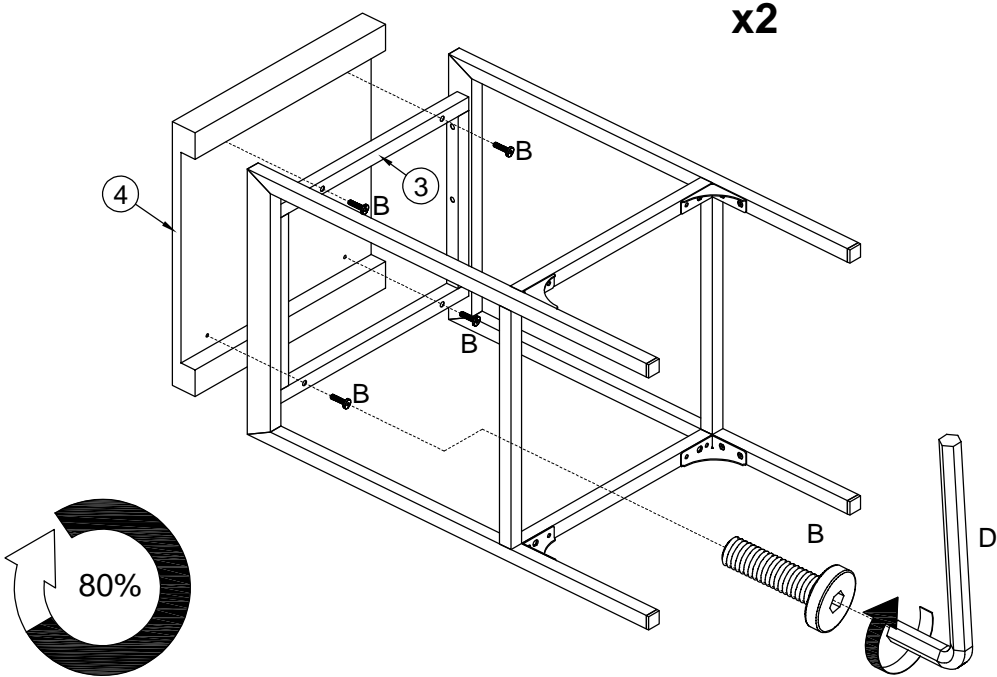
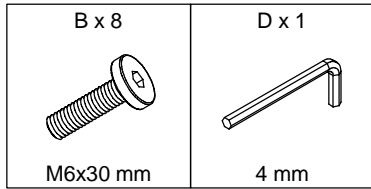


Ax12  
Bx10

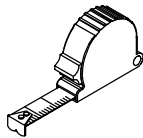
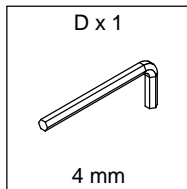




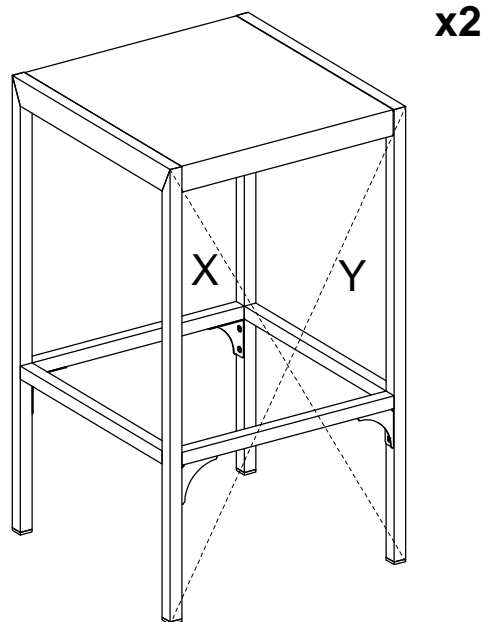
7



8





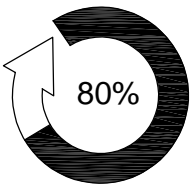
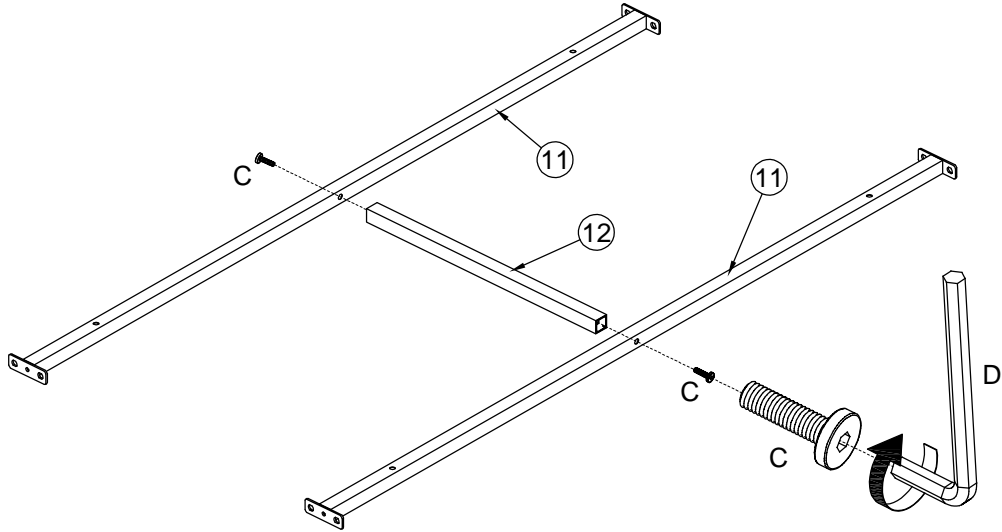
X=Y





Ax24  
Bx20

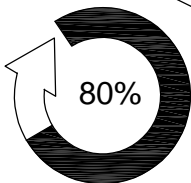
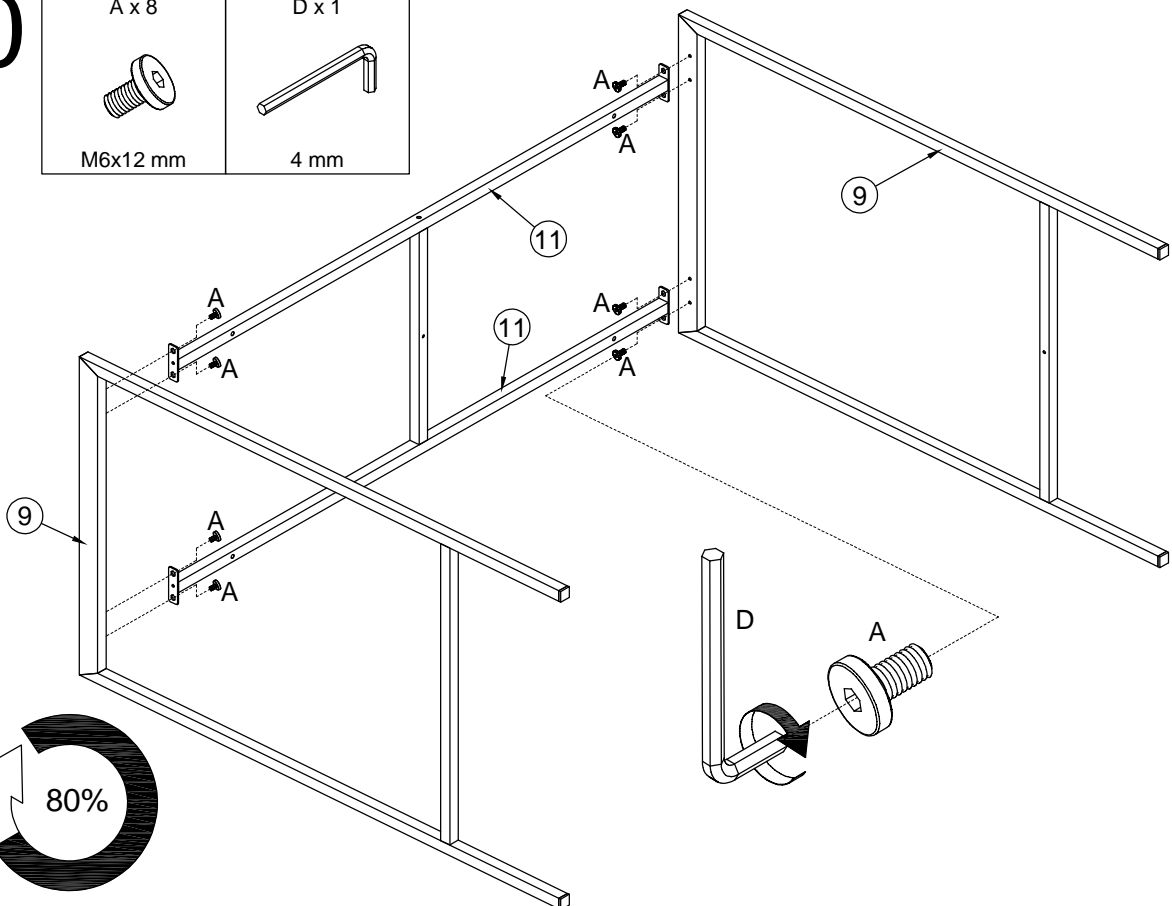
# 9

C x 2  M6x40 mm	D x 1  4 mm
--	--





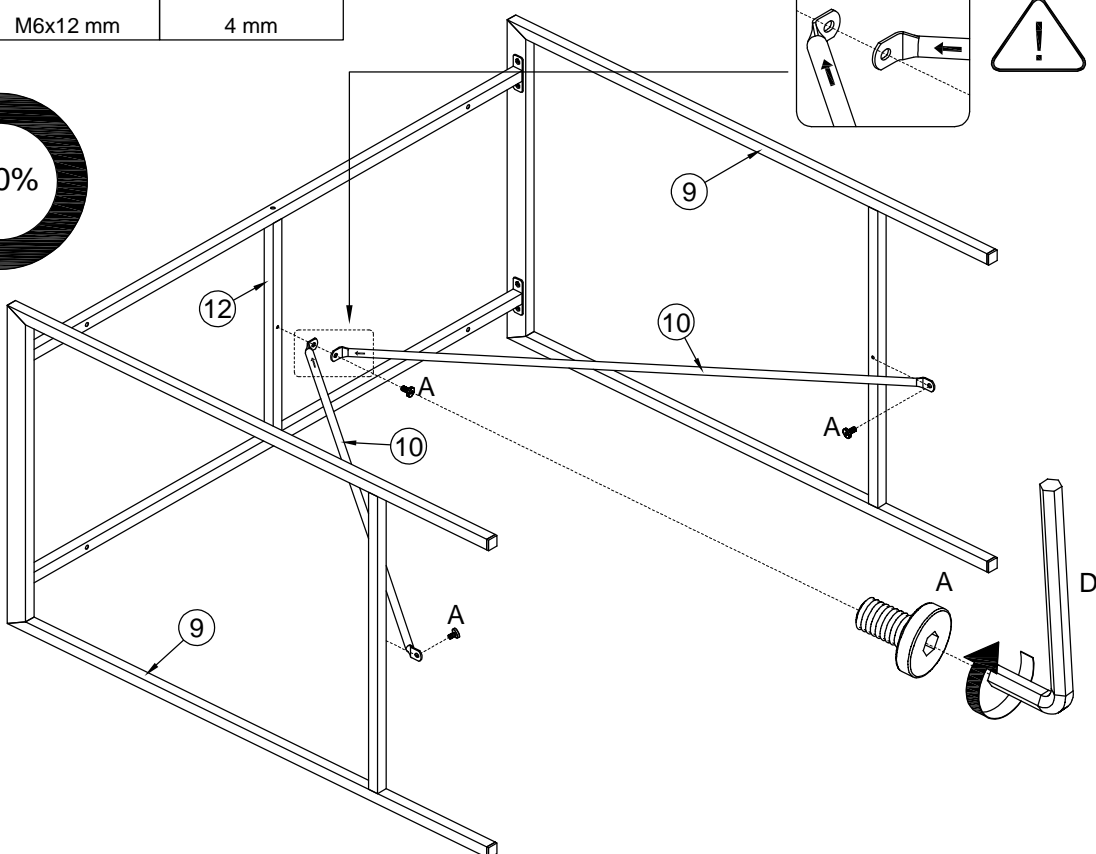
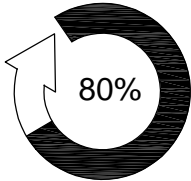
# 10

A x 8  M6x12 mm	D x 1  4 mm
--	--

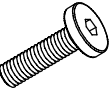



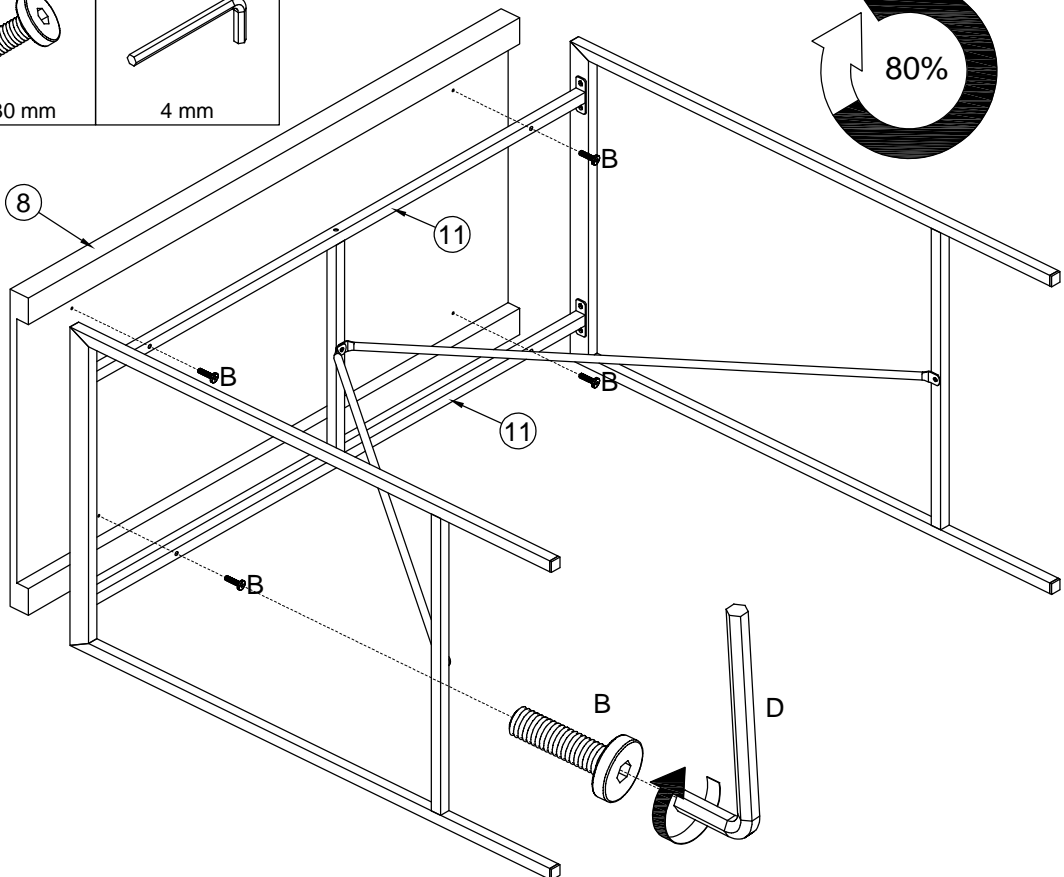
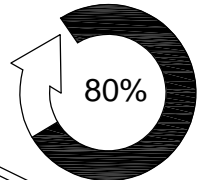
# 11

A x 3	D x 1
	
M6x12 mm	4 mm

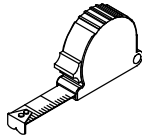
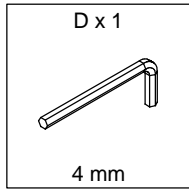


# 12

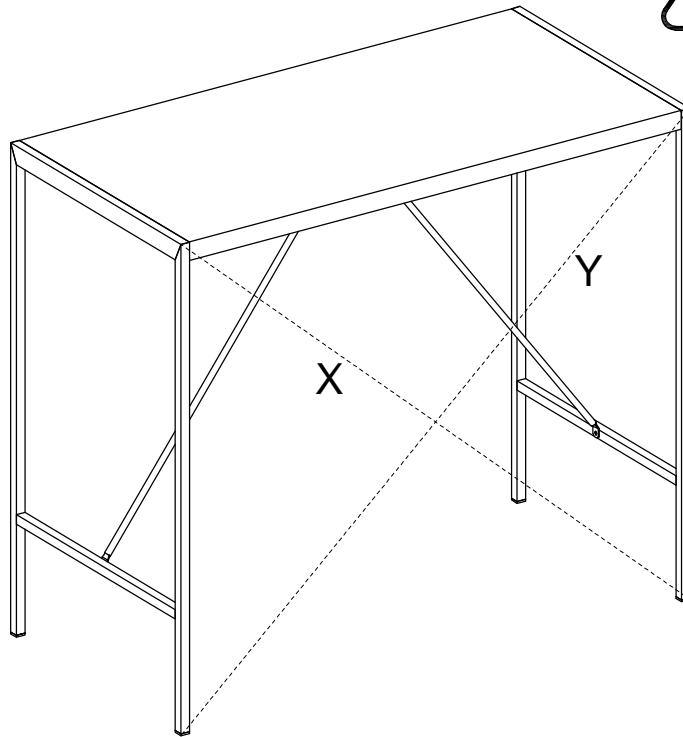
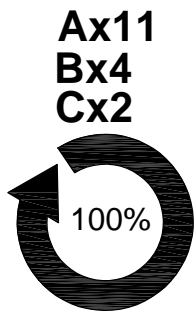
B x 4	D x 1
	
M6x30 mm	4 mm



# 13



X=Y



# 14

