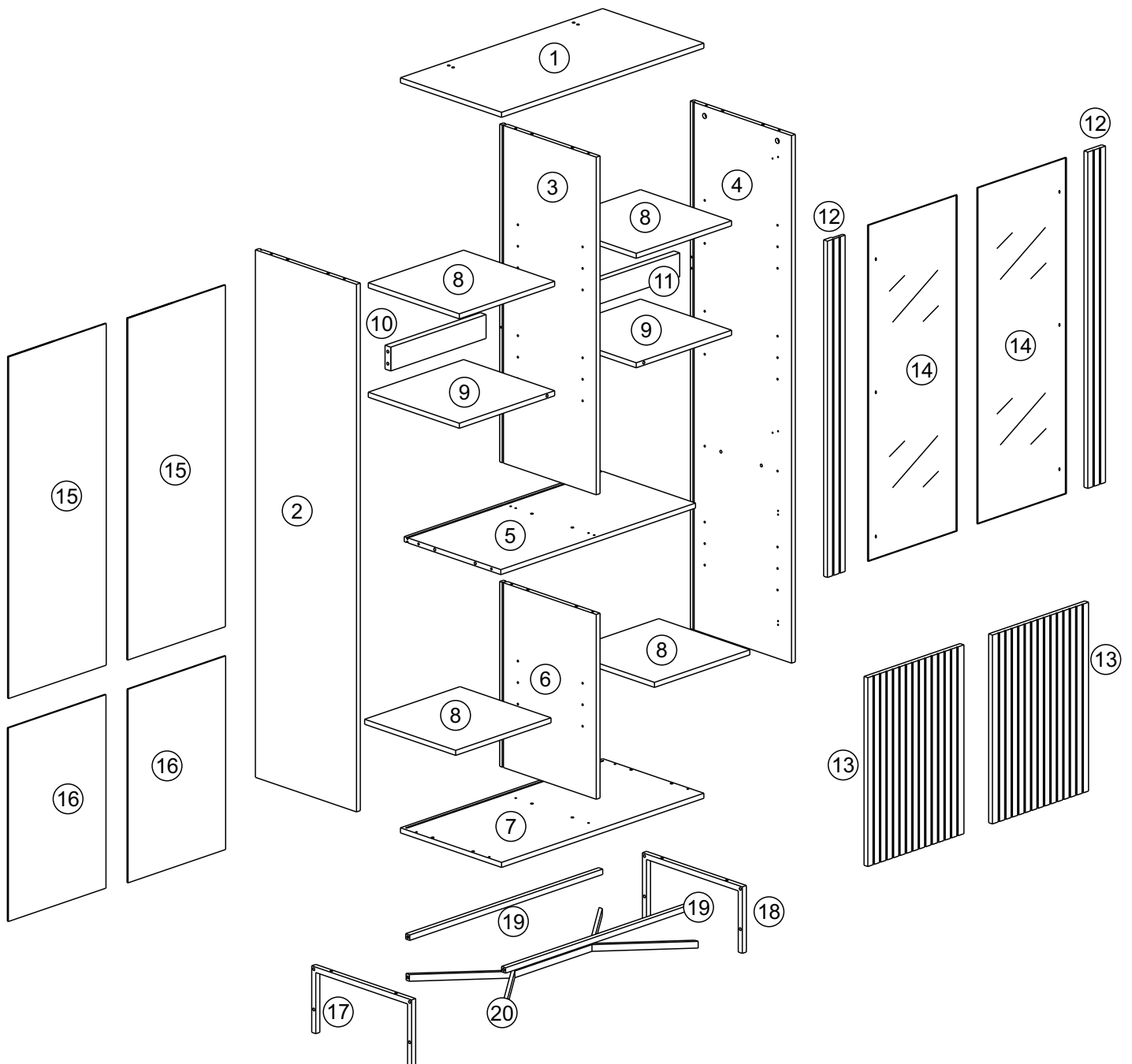
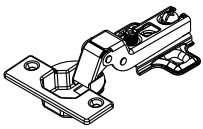
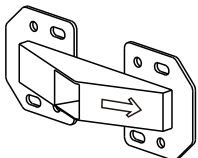
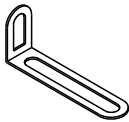
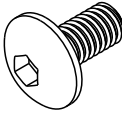
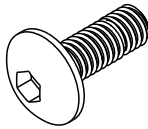
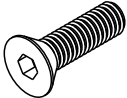
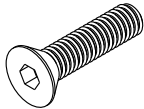
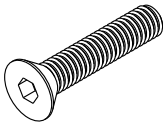
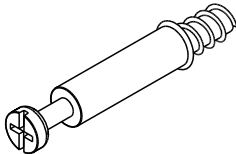
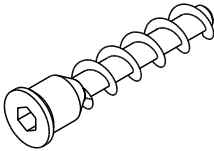
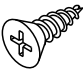
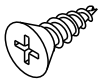
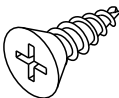
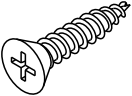
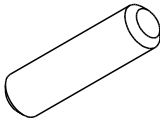
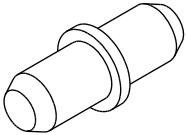
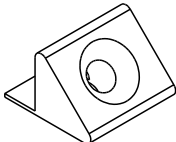
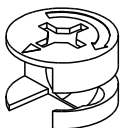
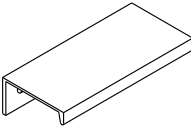
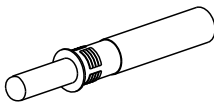
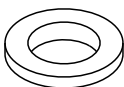
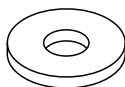
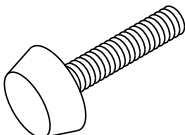
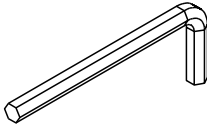
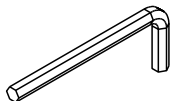


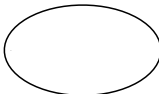


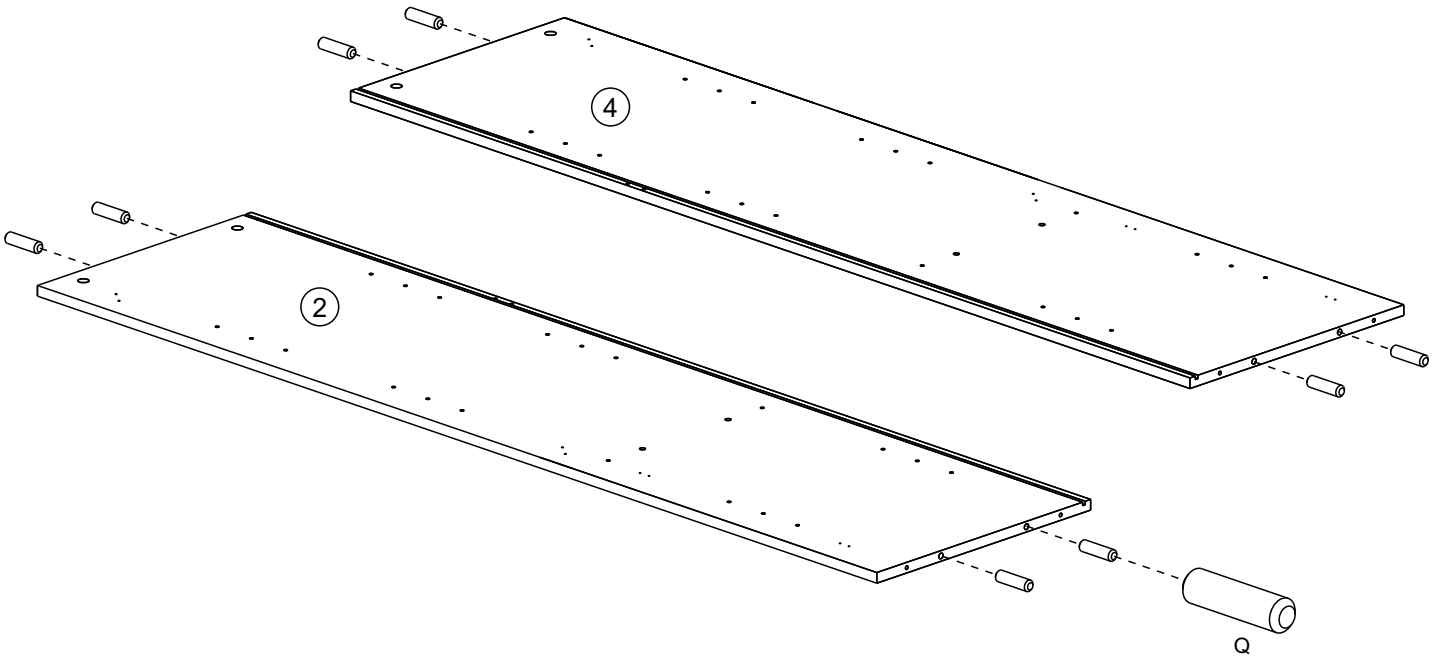
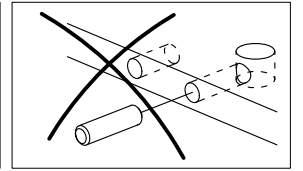
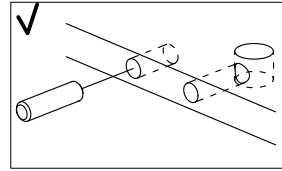
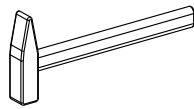
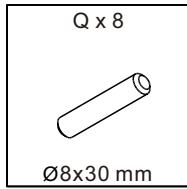
			✓
①	1	800x400x15mm	
②	1	1572x399x15mm	
③	1	989x378x15mm	
④	1	1572x399x15mm	
⑤	1	769x382x15mm	
⑥	1	567x382x15mm	
⑦	1	800x400x15mm	
⑧	4	376x357x15mm	
⑨	2	376x357x15mm	
⑩	1	377x78x15mm	

			✓
⑪	1	377x78x15mm	
⑫	2	983x71x16mm	
⑬	2	578x379x16mm	
⑭	2	983x351x5mm	
⑮	2	997x386x4mm	
⑯	2	576x386x4mm	
⑰	1	395x200x16mm	
⑱	1	395x200x16mm	
⑲	2	763x16x16mm	
⑳	1	763x394x20mm	

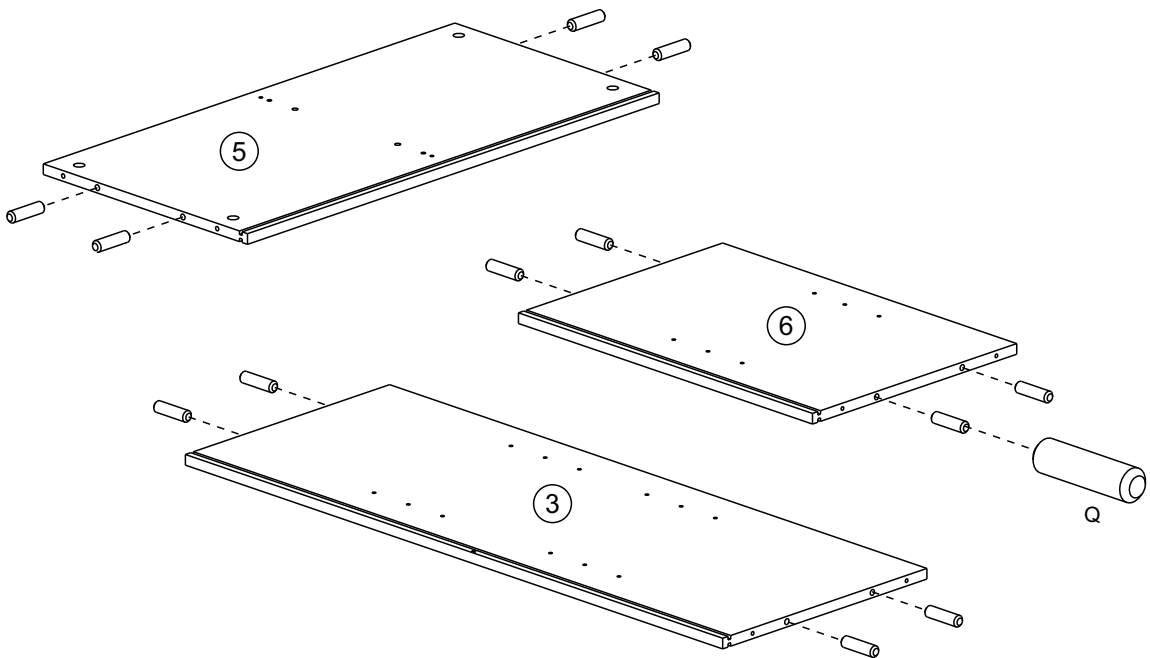
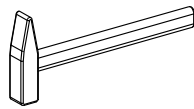
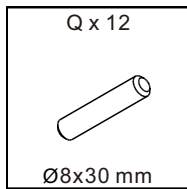


<p>A x 4</p>  <p>Ø35/FK17 mm</p>	<p>B x 4</p>  <p>104x44x25 mm</p>	<p>C x 2</p>  <p>75x25x15 mm</p>	<p>D x 4</p>  <p>M6x12 mm</p>	<p>E x 6</p>  <p>M6x16 mm</p>
<p>F x 4</p>  <p>M6x22 mm</p>	<p>G x 4</p>  <p>M6x28 mm</p>	<p>H x 4</p>  <p>M6x40 mm</p>	<p>J x 19</p>  <p>Ø6x45 mm</p>	<p>K x 8</p>  <p>Ø5x38 mm</p>
<p>L x 4</p>  <p>Ø3.5x12 mm</p>	<p>M x 32</p>  <p>Ø3.5x14 mm</p>	<p>N x 16</p>  <p>Ø5x16 mm</p>	<p>P x 16</p>  <p>Ø3.5x18 mm</p>	<p>Q x 20</p>  <p>Ø8x30 mm</p>
<p>R x 24</p>  <p>Ø5/Ø5 mm</p>	<p>S x 16</p>  <p>15x13x10 mm</p>	<p>T x 19</p>  <p>Ø15x12 mm</p>	<p>U x 2</p>  <p>80x38x19 mm</p>	<p>V x 2</p>  <p>Ø10x75 mm</p>
<p>W x 6</p>  <p>Ø16/Ø8 mm</p>	<p>X x 6</p>  <p>Ø18 mm</p>	<p>Y x 2</p>  <p>Ø13.5x25 mm</p>	<p>Z x 1</p>  <p>4 mm</p>	<p>AA x 1</p>  <p>3 mm</p>
<p>AB x 2</p>  <p>Ø5x3 mm</p>	<p>AC x 2</p>  <p>Ø10x2 mm</p>	<p>AD x 6</p>  <p>Ø21 mm</p>		

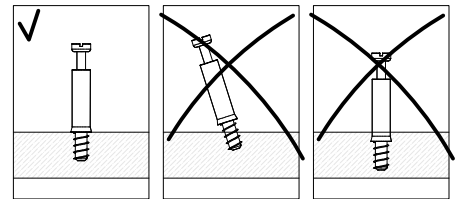
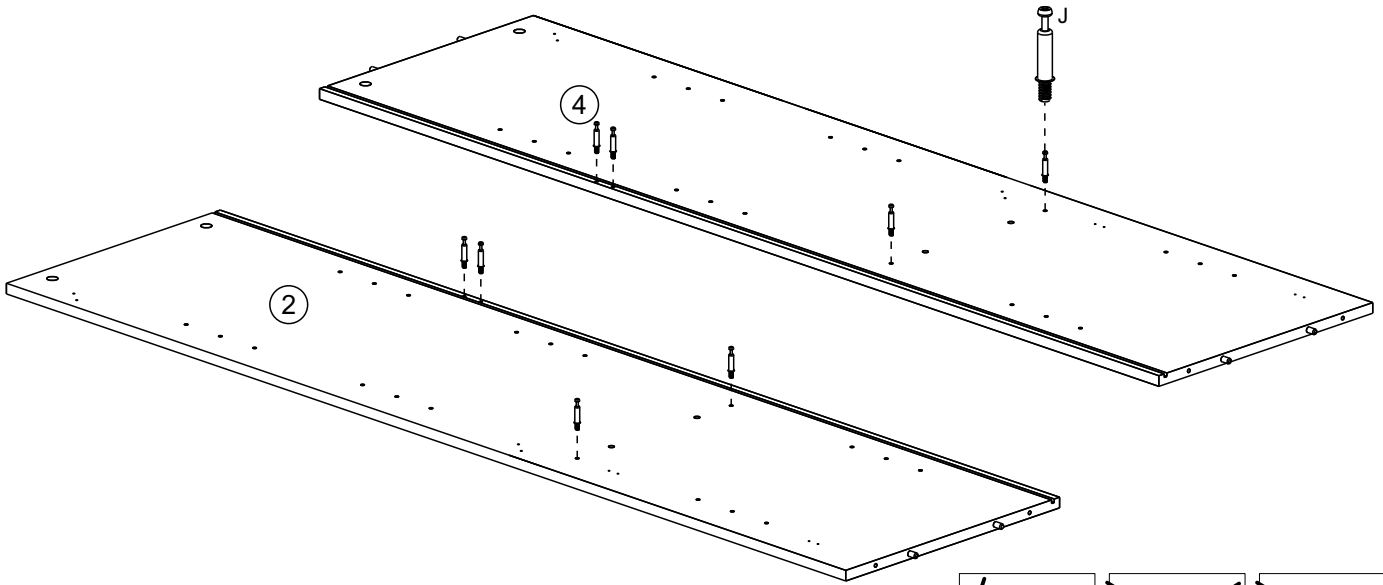
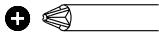
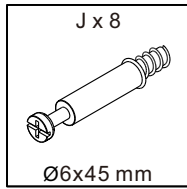
# 1



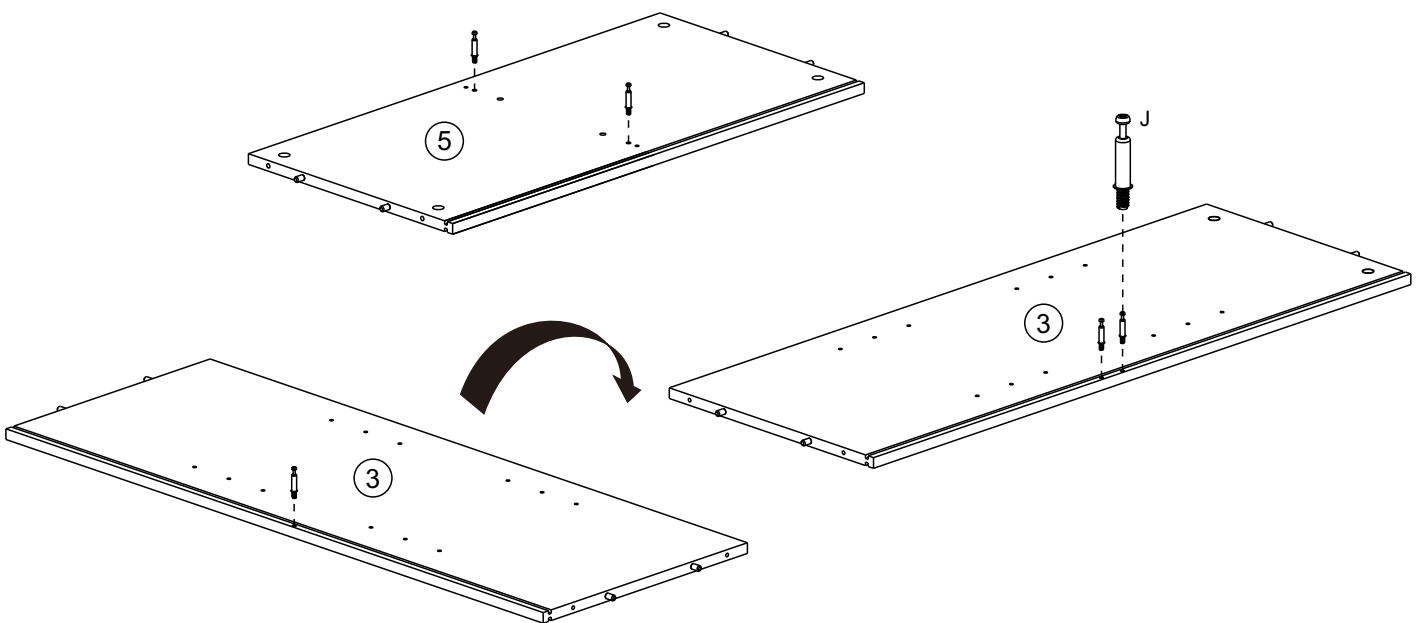
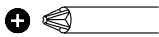
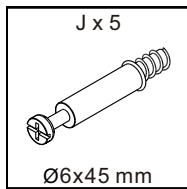
# 2



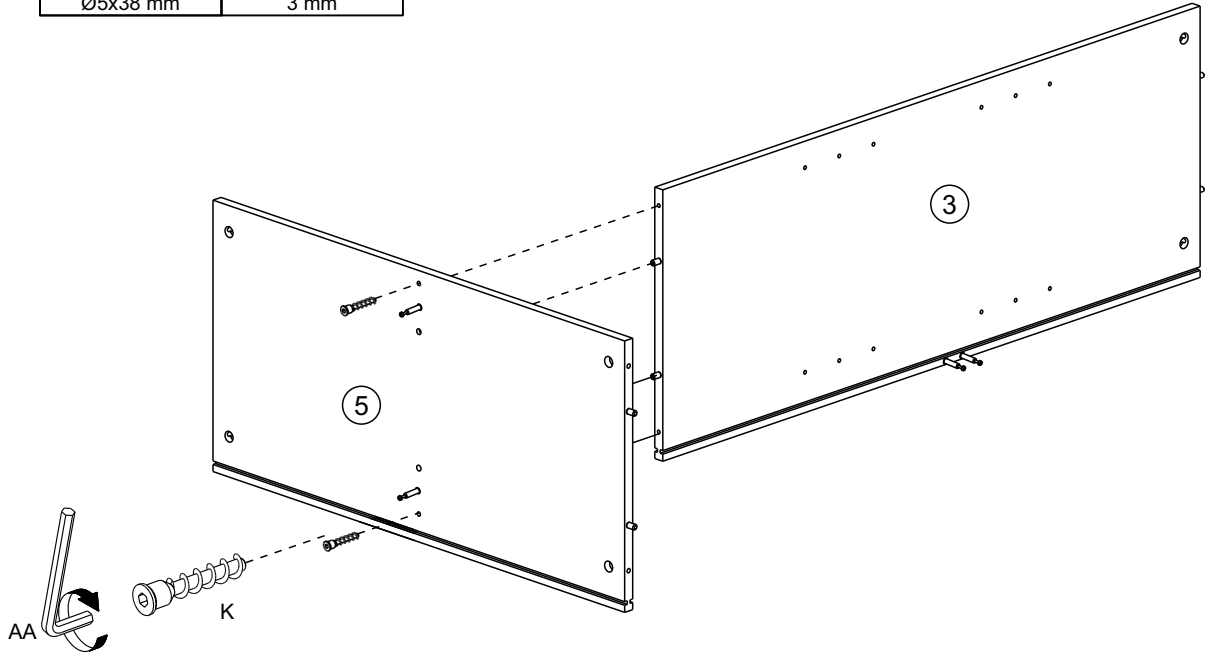
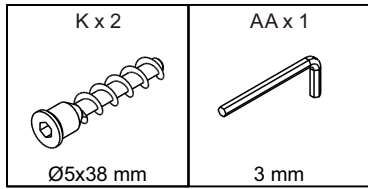
# 3



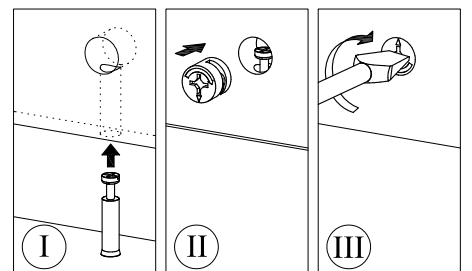
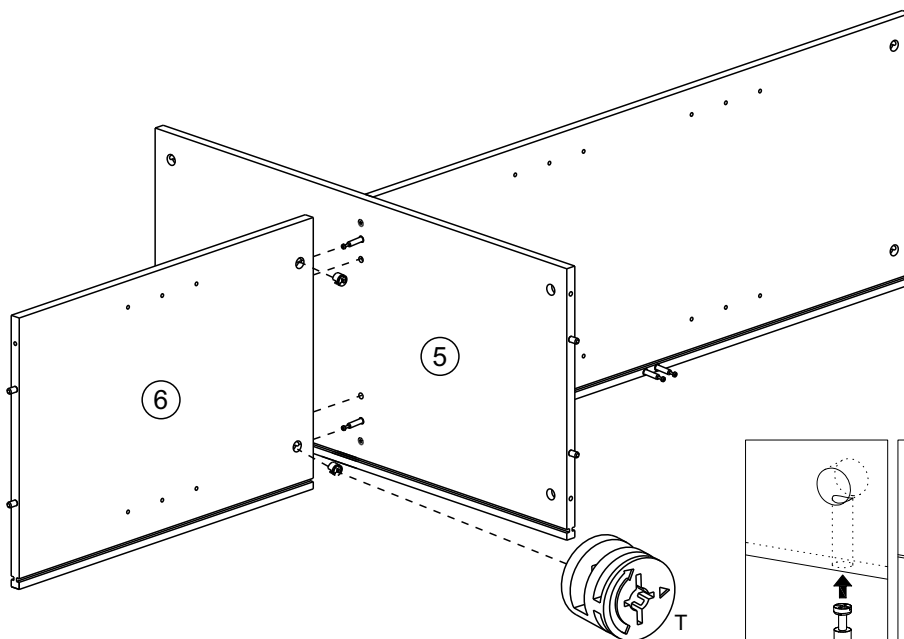
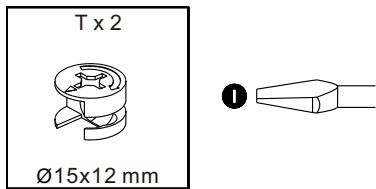
# 4



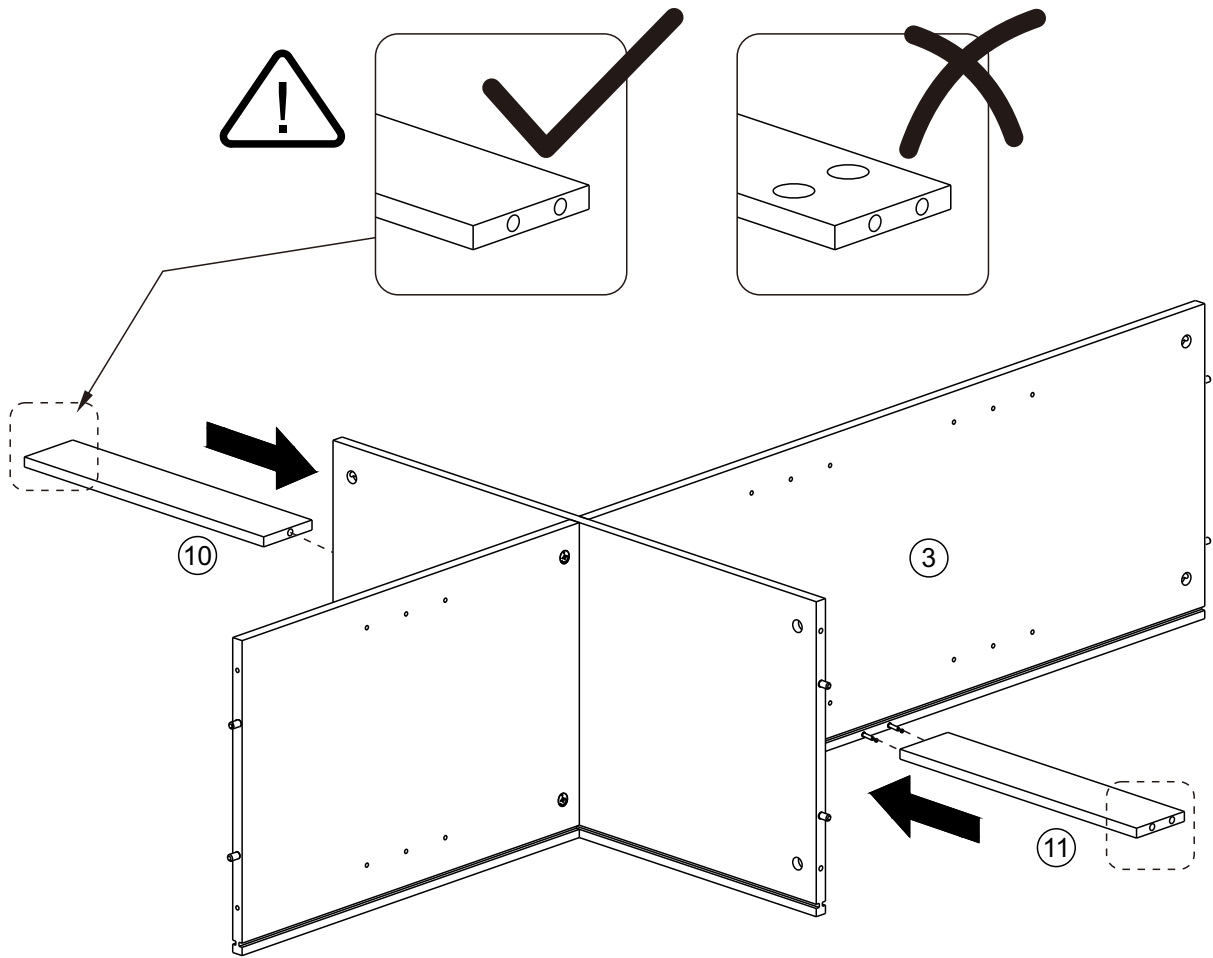
# 5



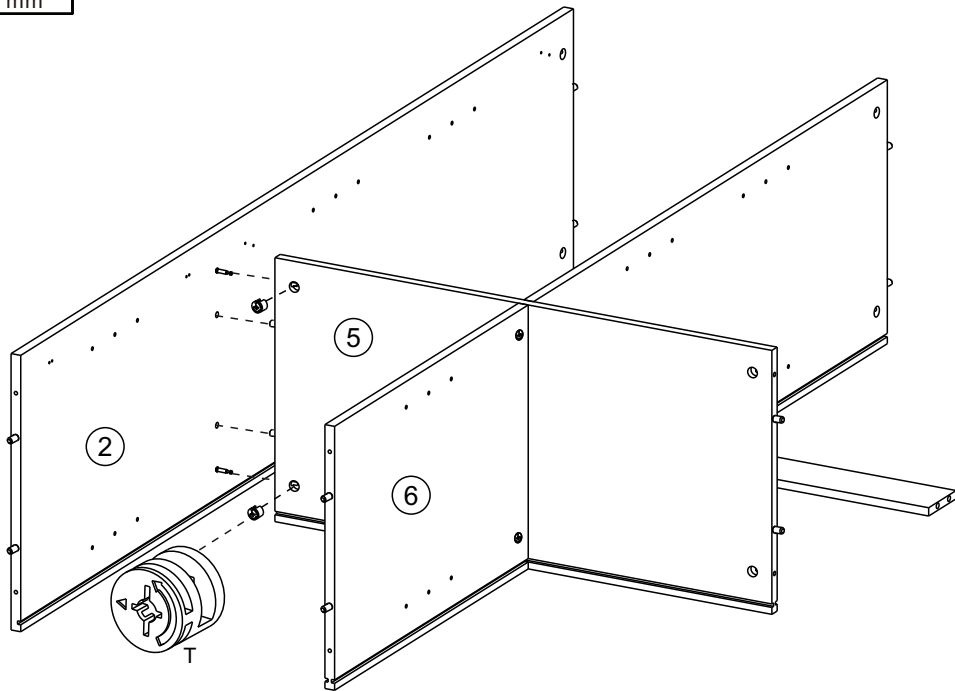
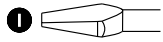
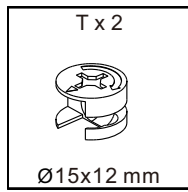
# 6



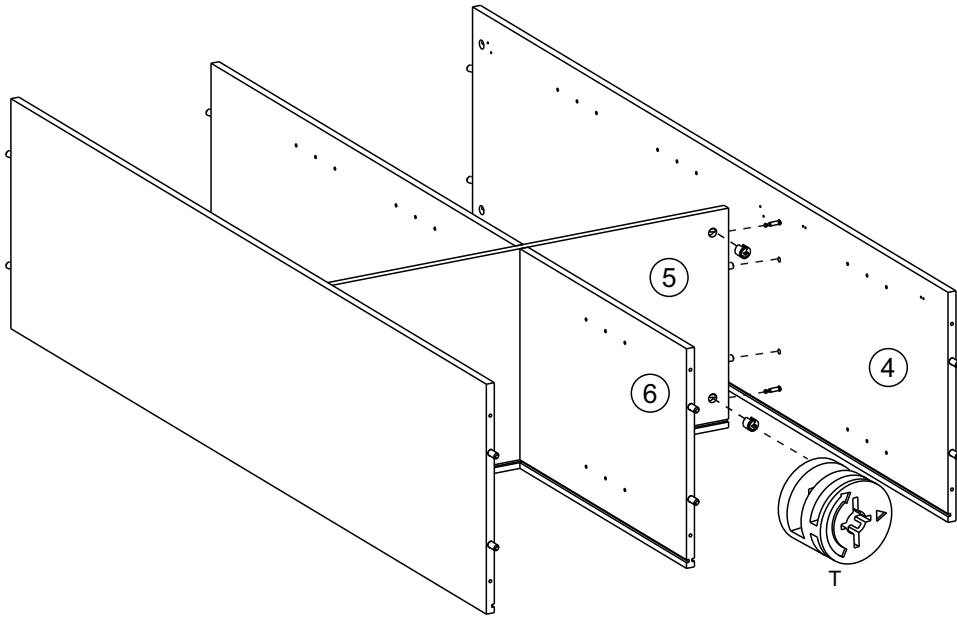
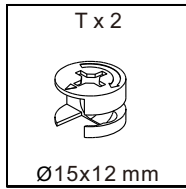
7



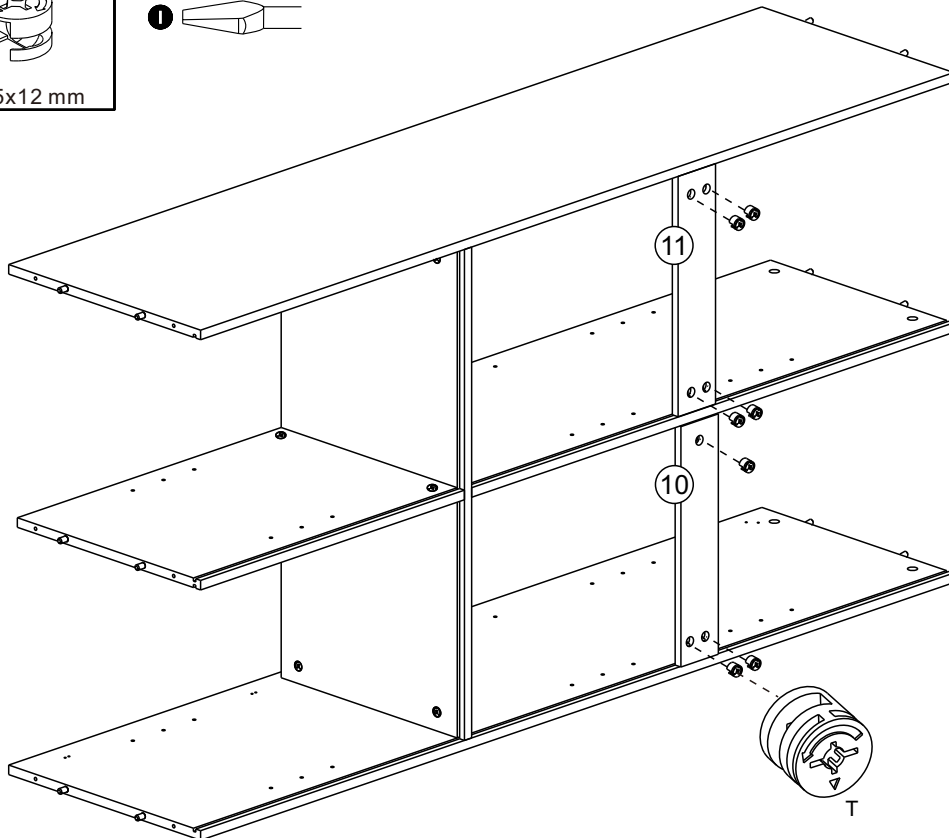
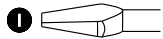
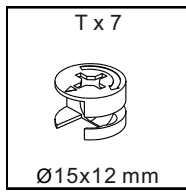
8



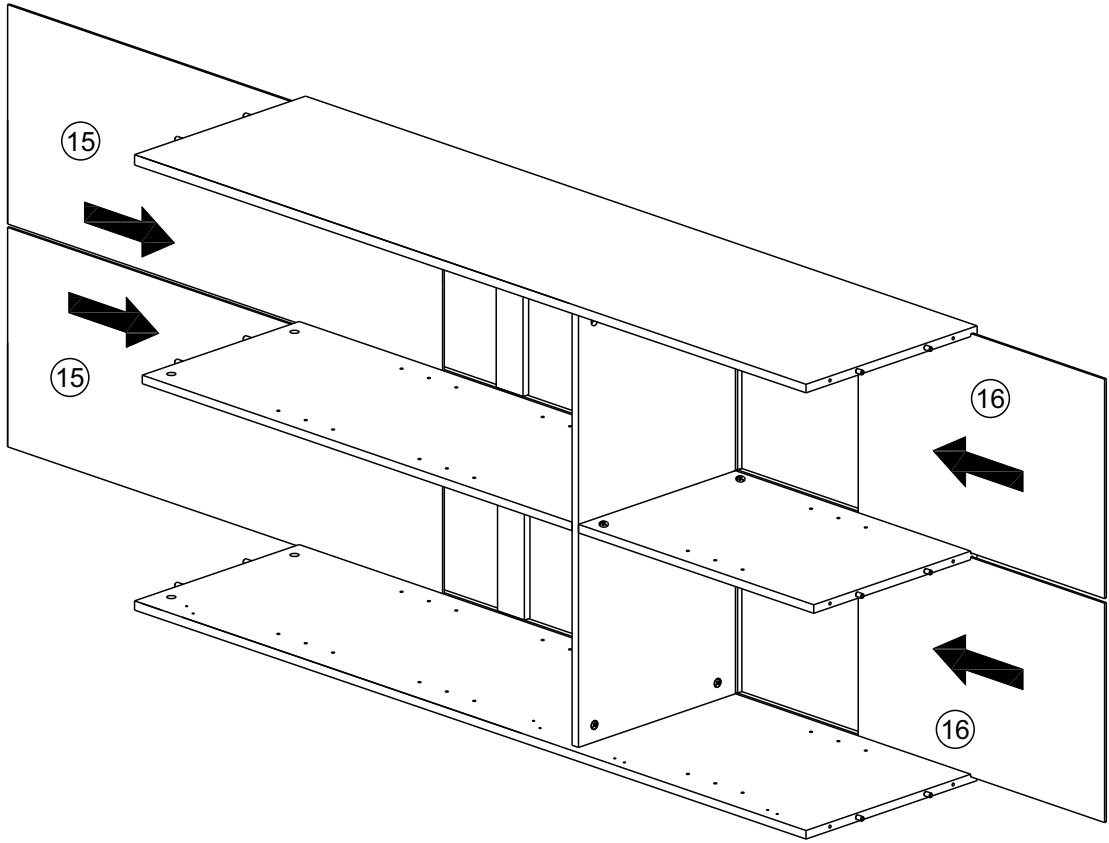
# 9





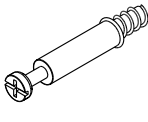
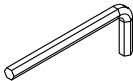
# 10

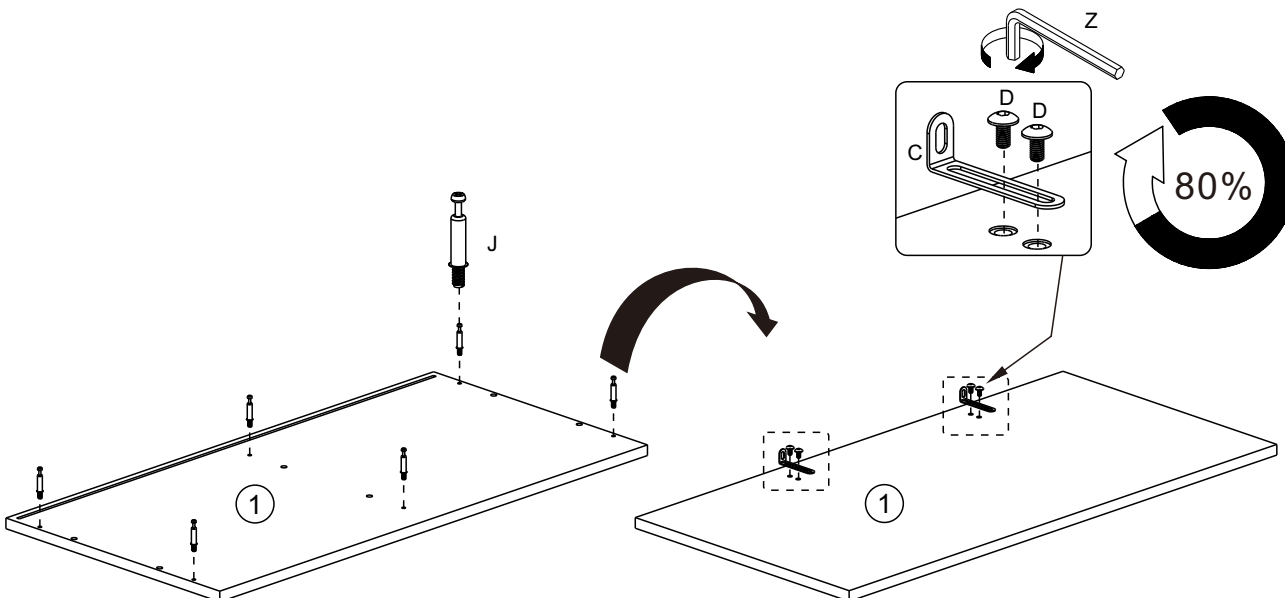
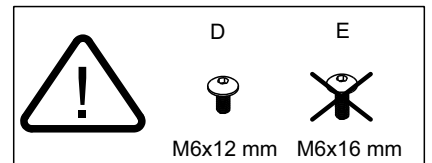
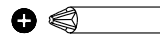


# 11

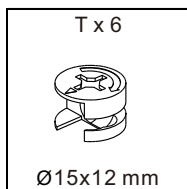


# 12

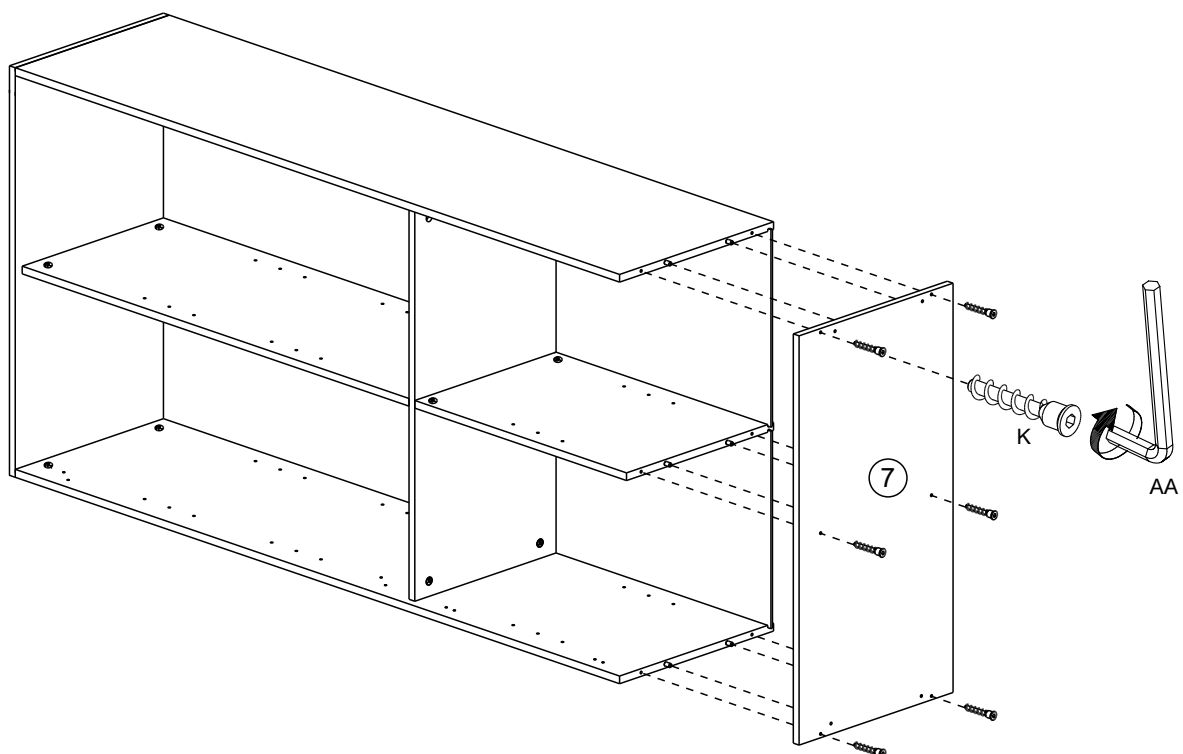
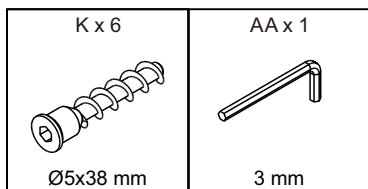
C x 2  75x25x15 mm	D x 4  M6x12 mm	J x 6  Ø6x45 mm	Z x 1  4 mm
---	--	--	--



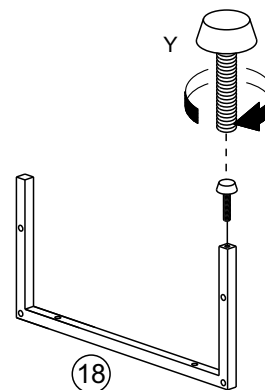
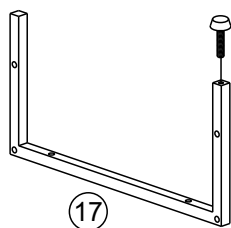
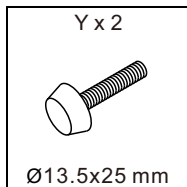
# 13



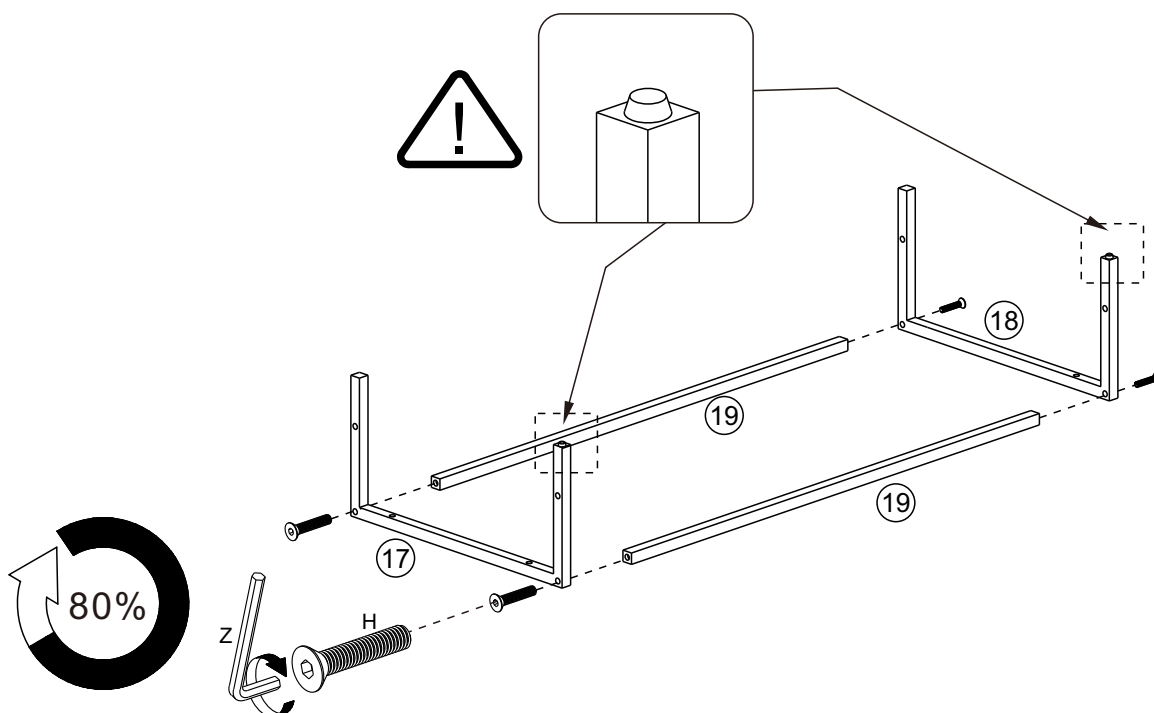
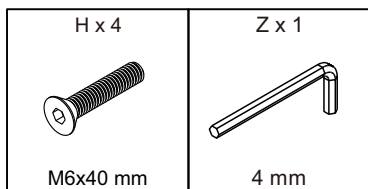
# 14



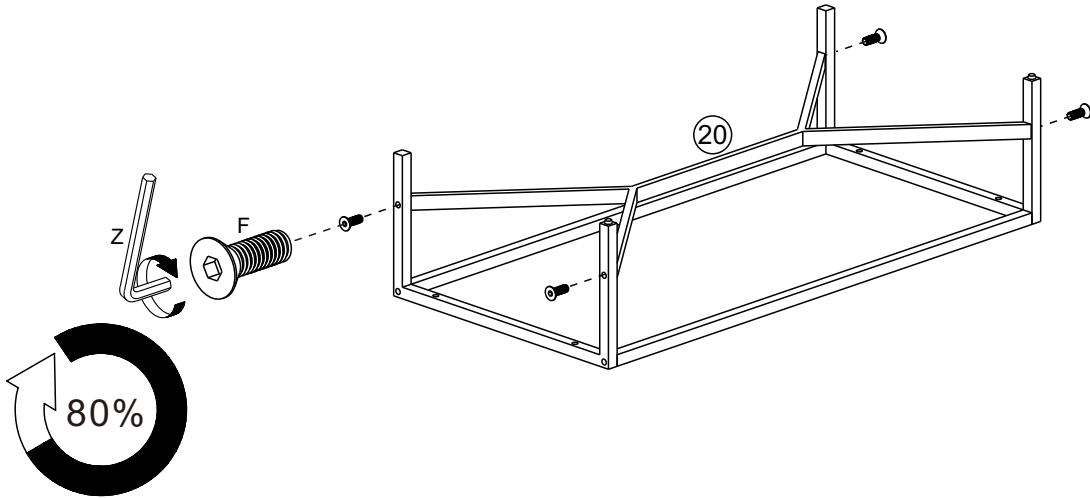
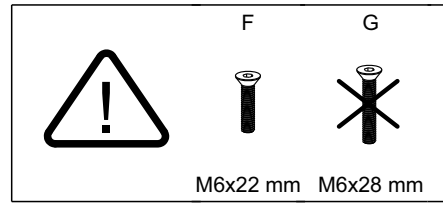
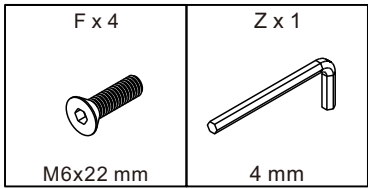
# 15



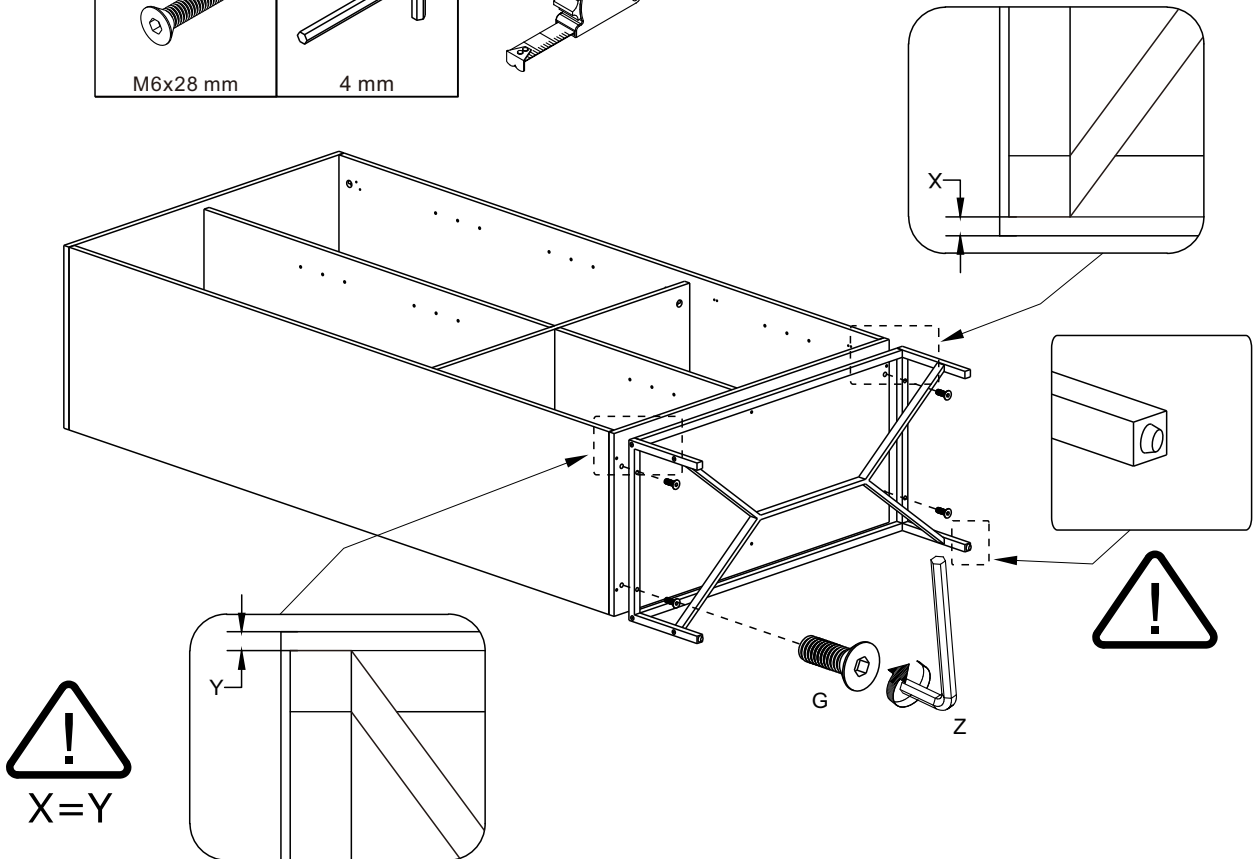
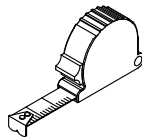
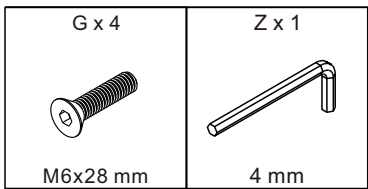
# 16



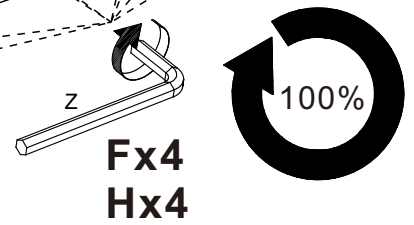
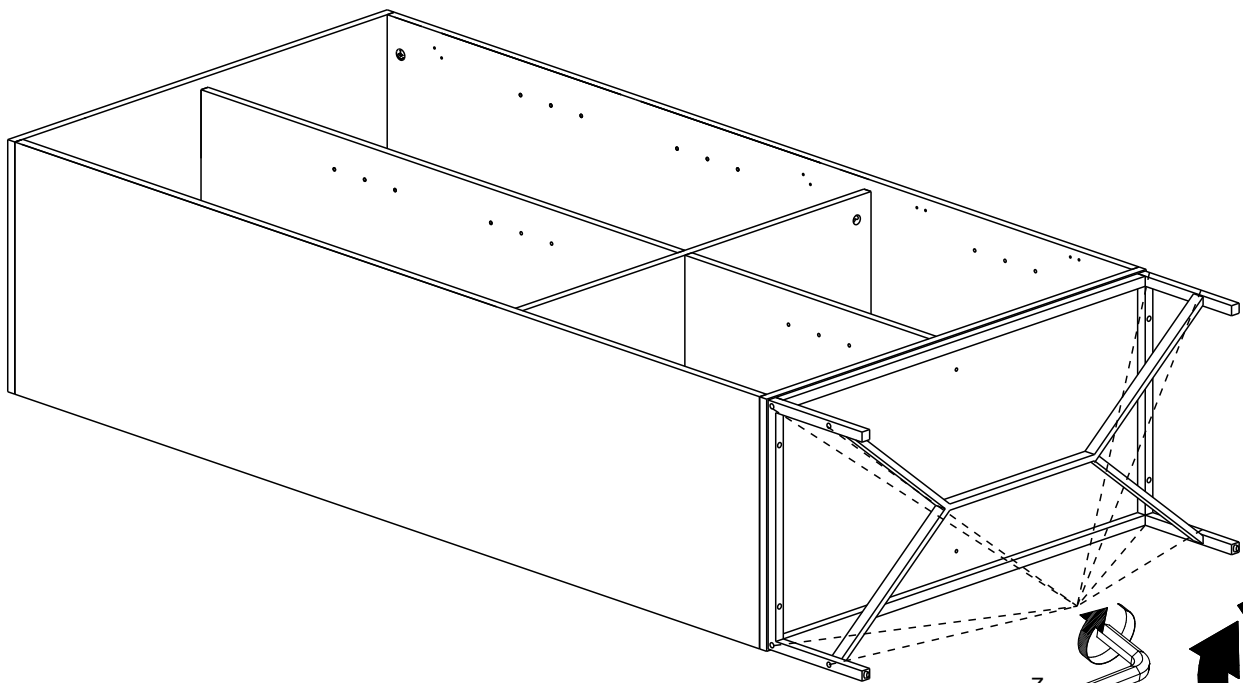
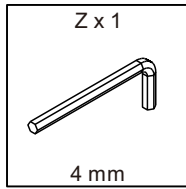
# 17



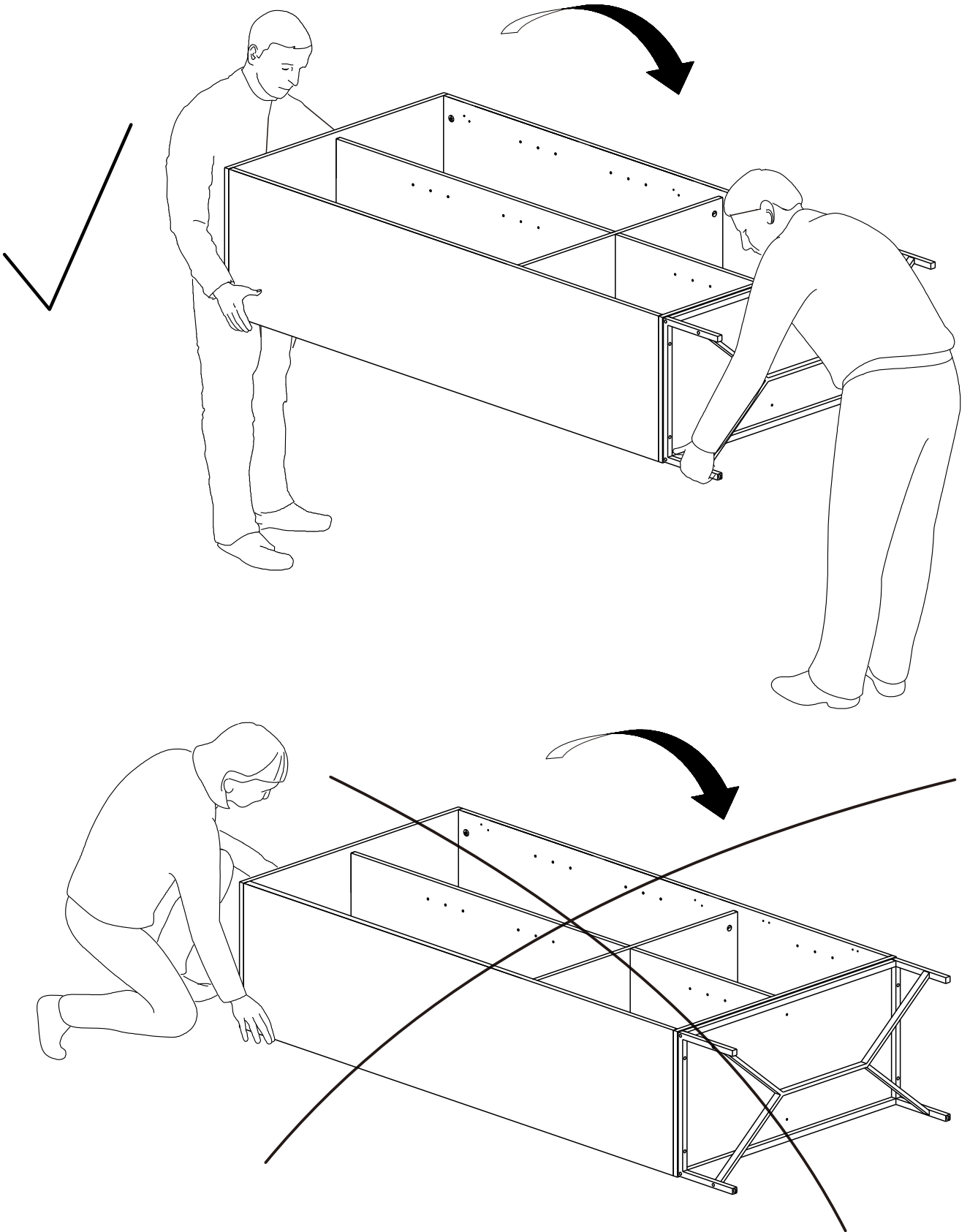
# 18



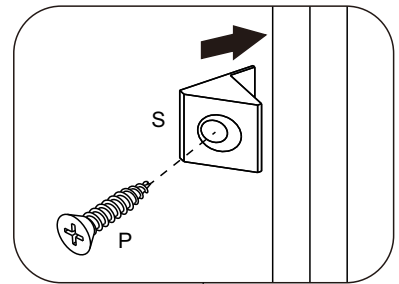
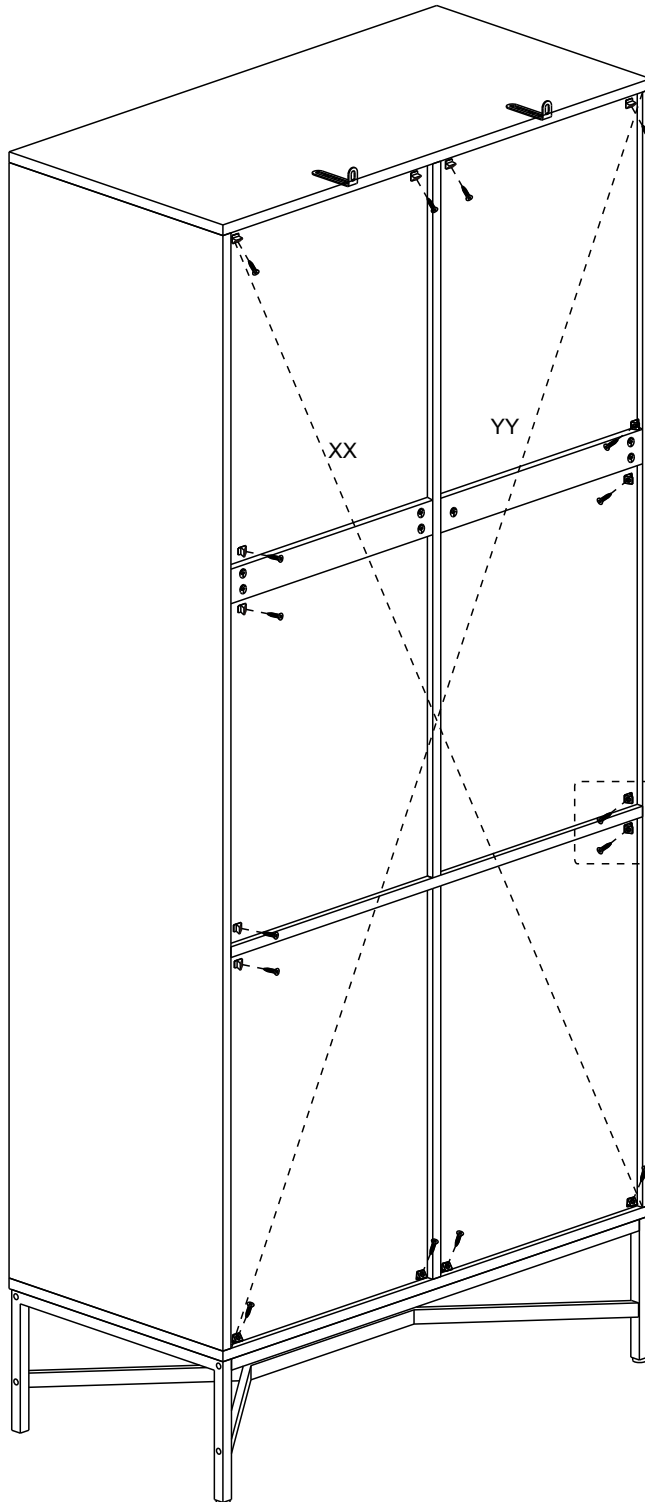
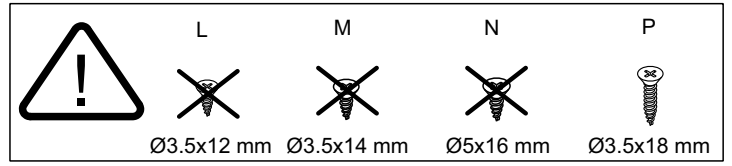
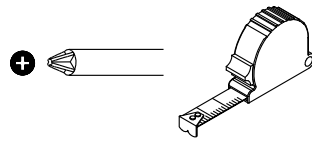
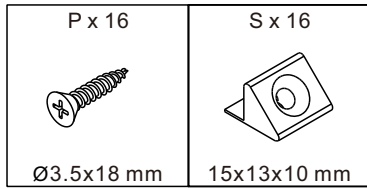
# 19





20

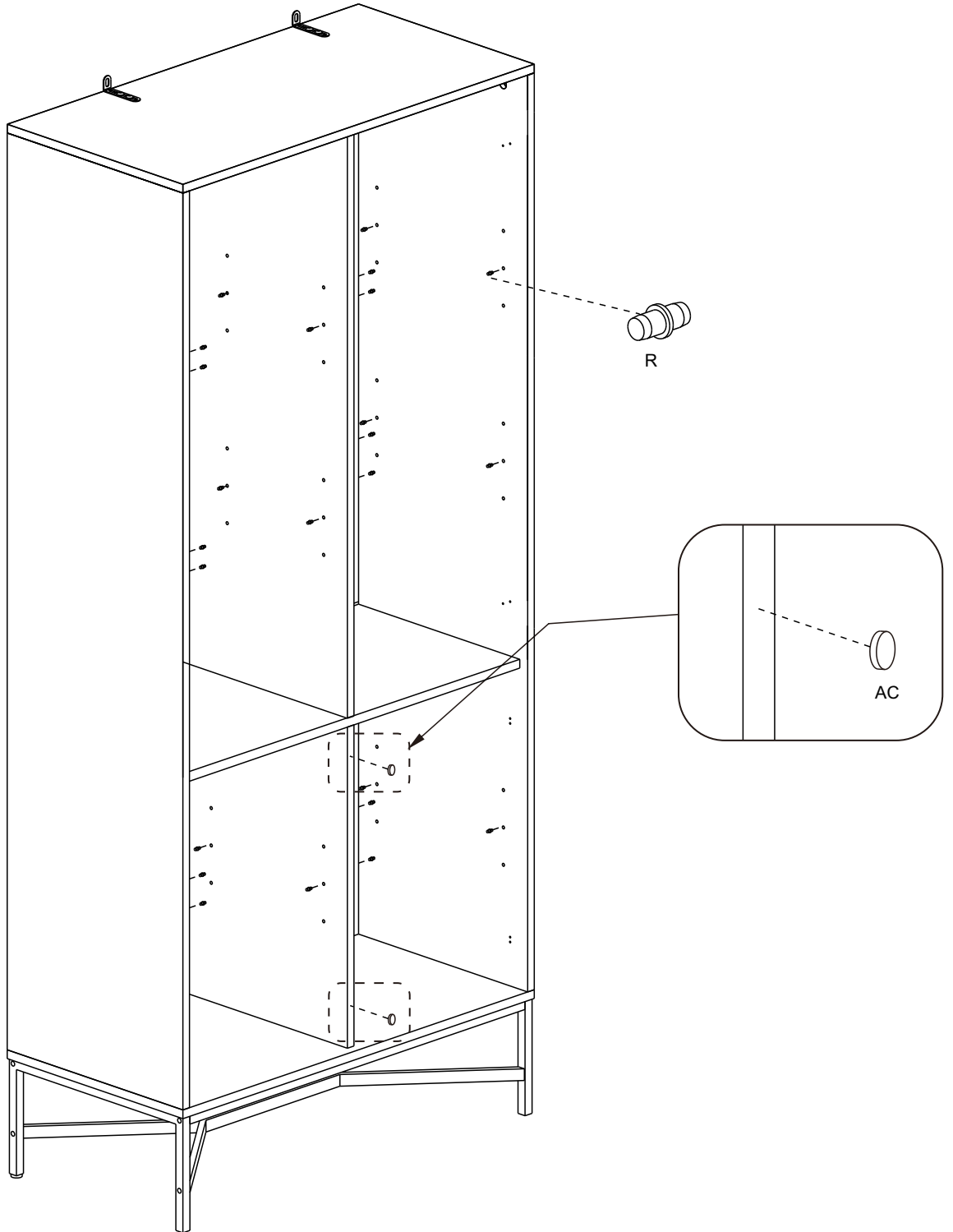
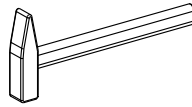


# 21

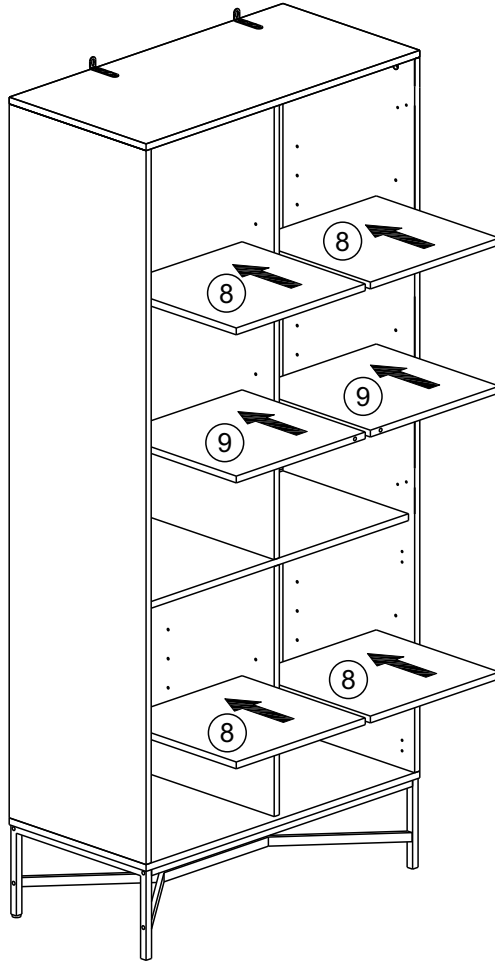


# 22

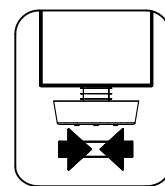
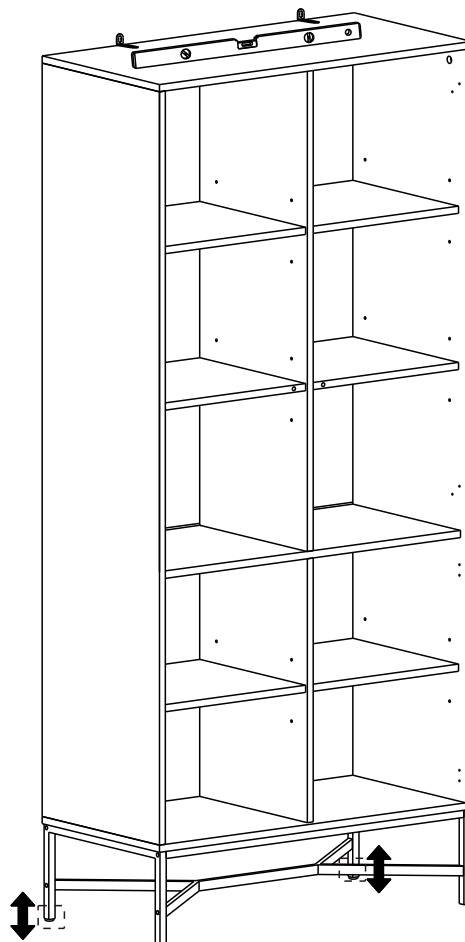
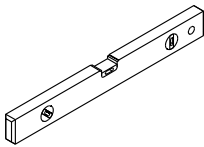
R x 24	AC x 2
	
Ø5/Ø5 mm	Ø10x2 mm



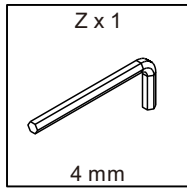
23



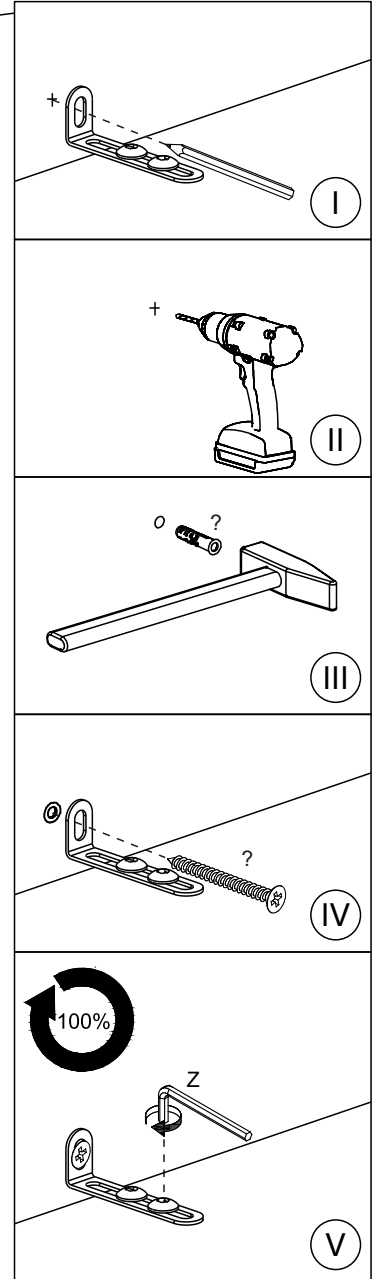
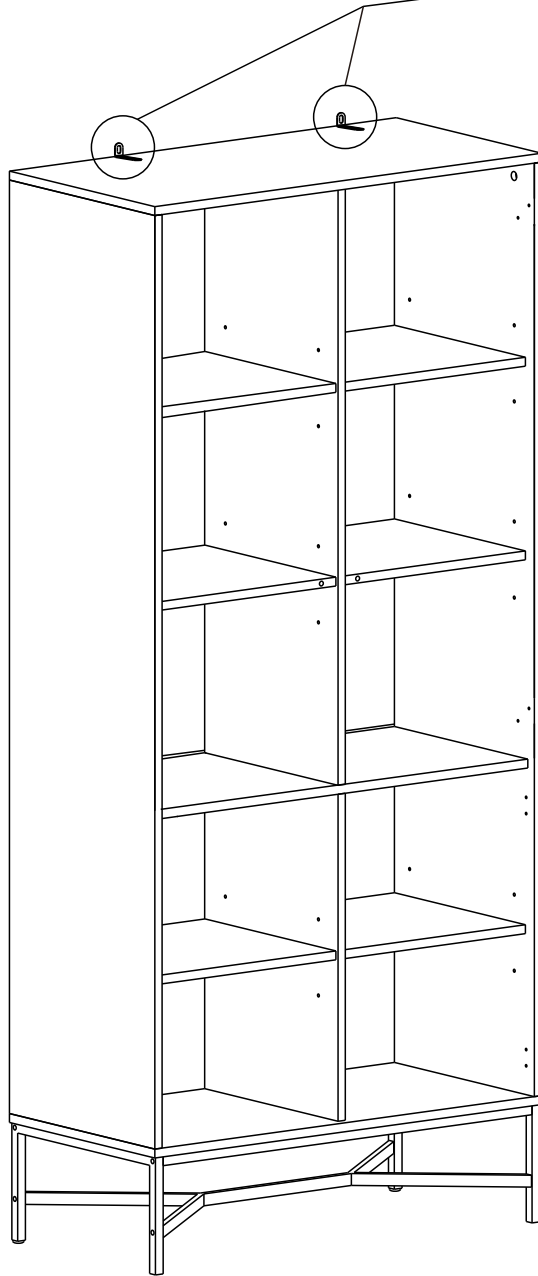
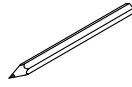
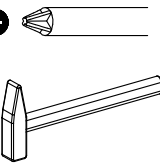
24



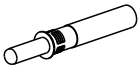

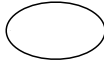
# 25

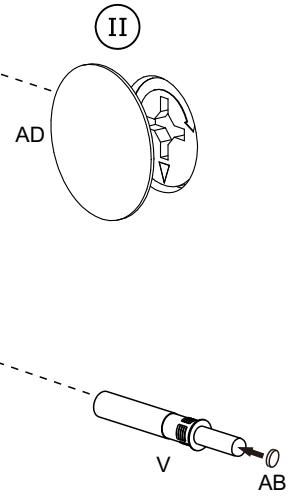
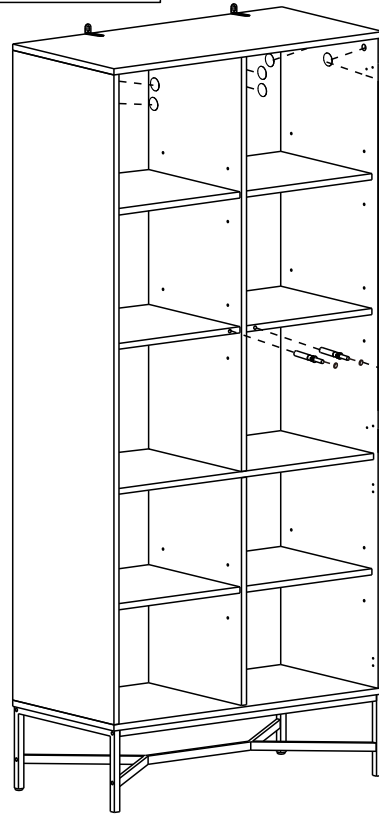
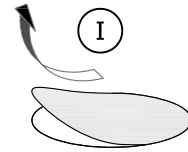


+

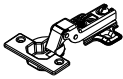



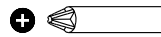
# 26





V x 2  Ø10x75 mm	AB x 2  Ø5x3 mm	AD x 6  Ø21 mm
---	--	---

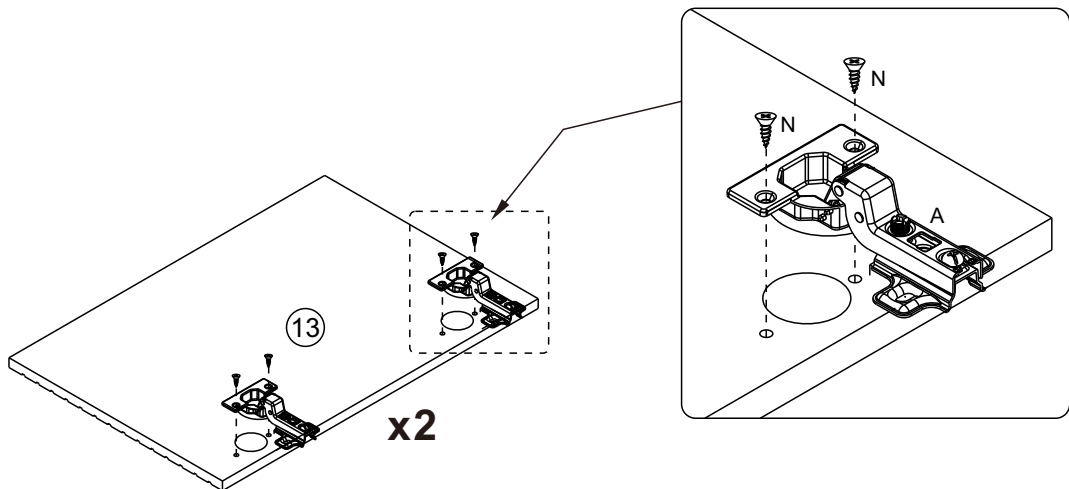


# 27

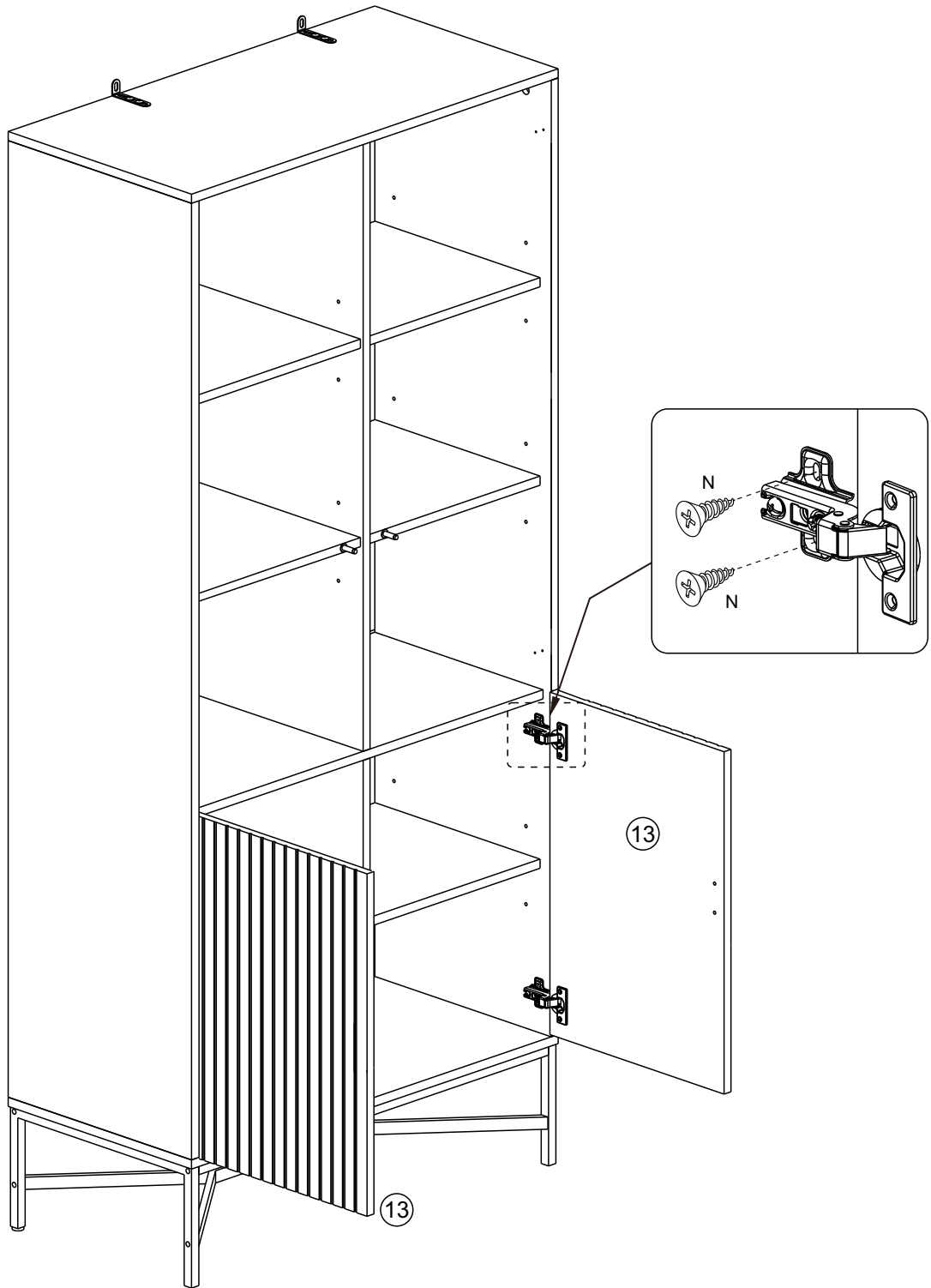
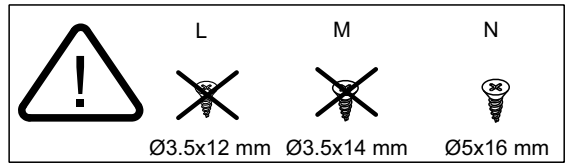
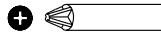
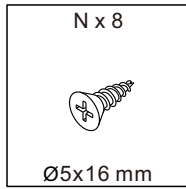
A x 4  Ø35/FK17 mm	N x 8  Ø5x16 mm
---	--



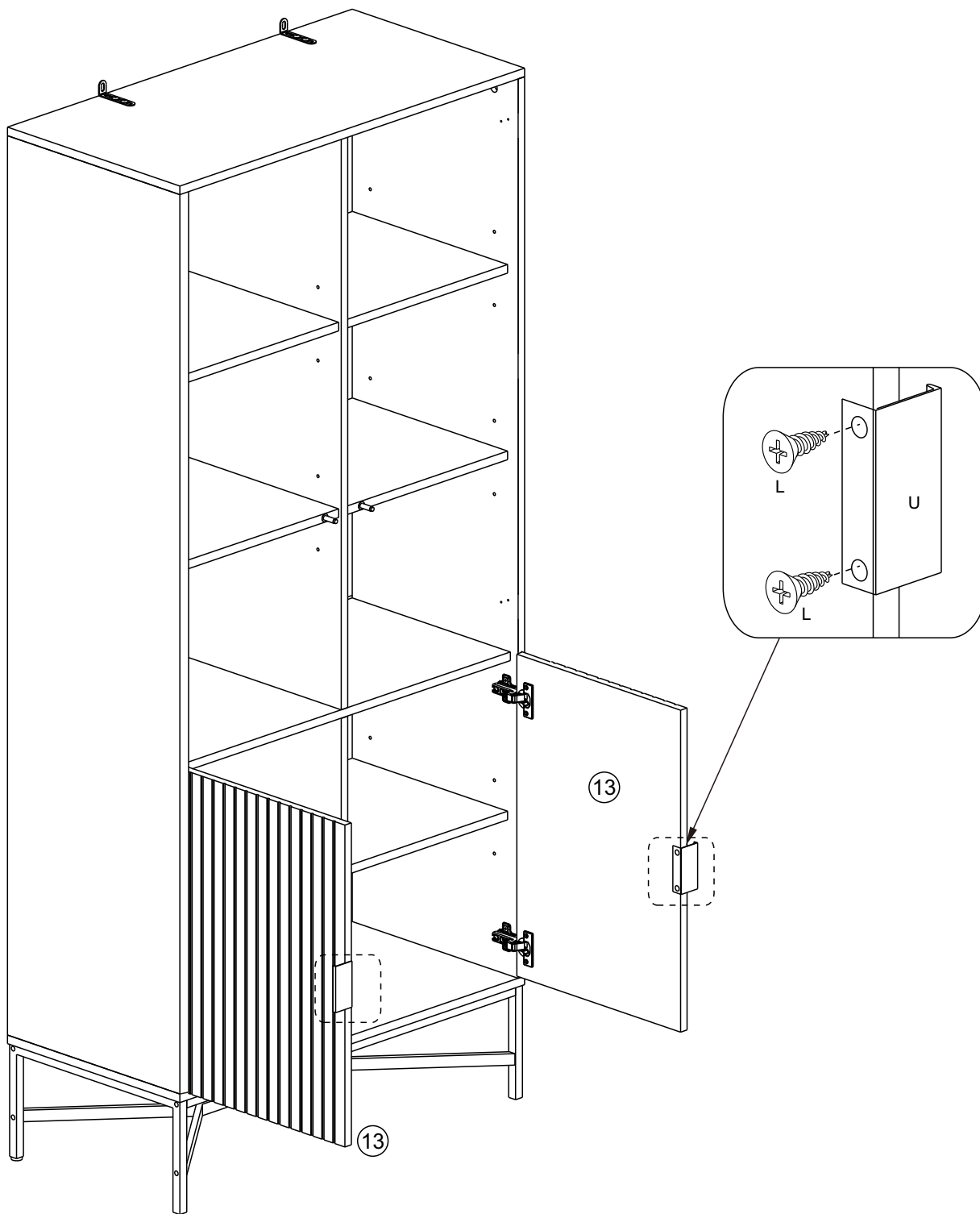
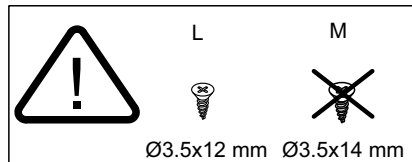
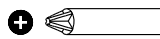
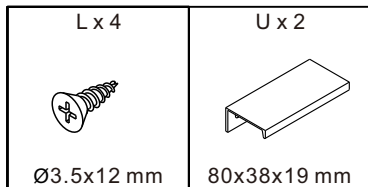
	L  Ø3.5x12 mm	M  Ø3.5x14 mm	N  Ø5x16 mm
--	--	--	--



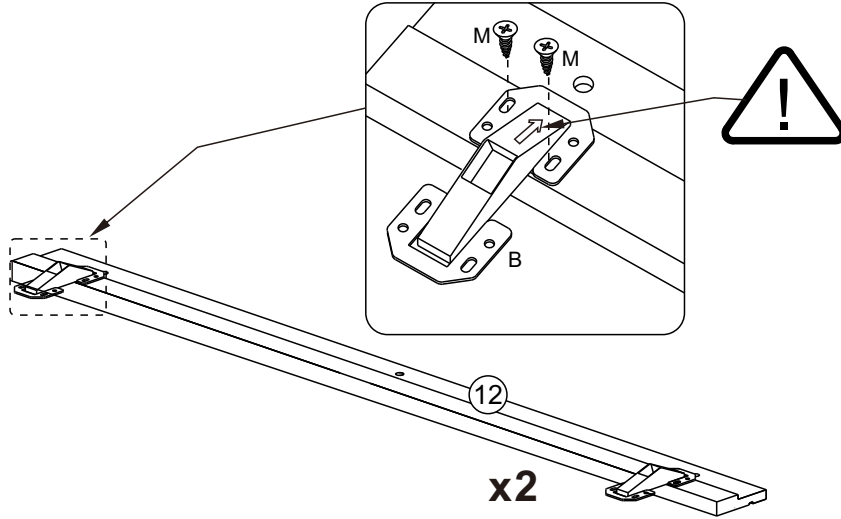
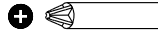
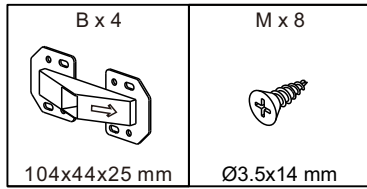
# 28



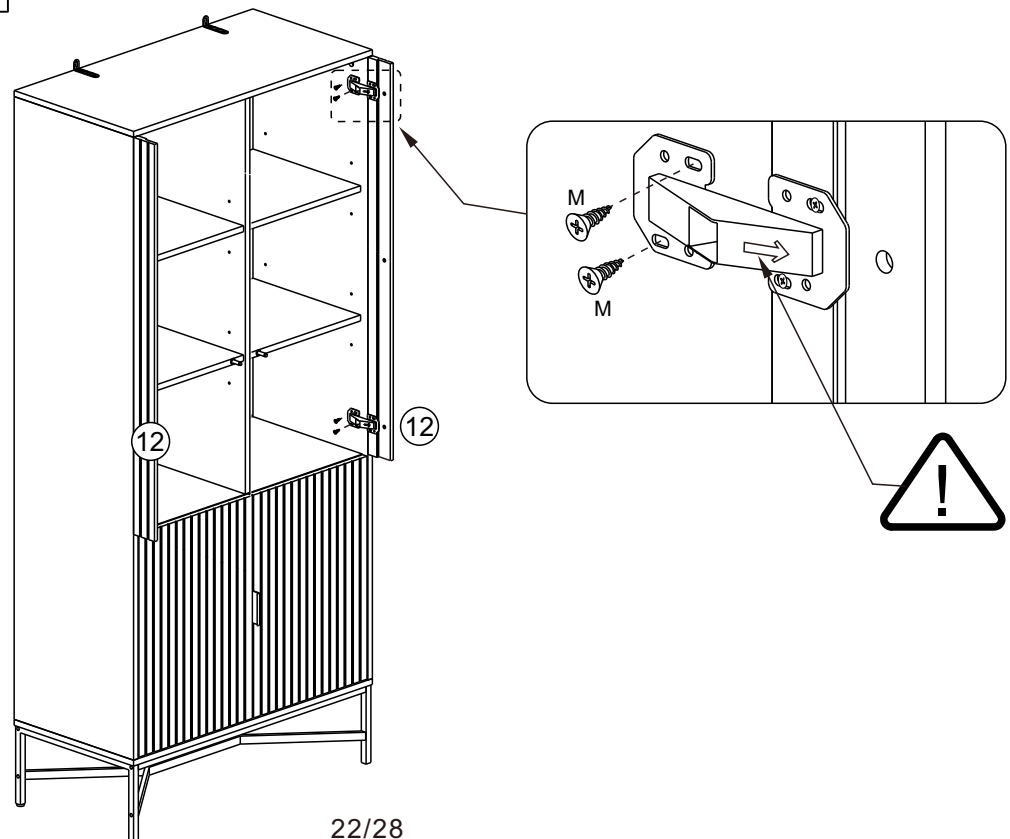
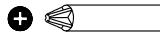
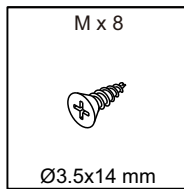
# 29







# 30

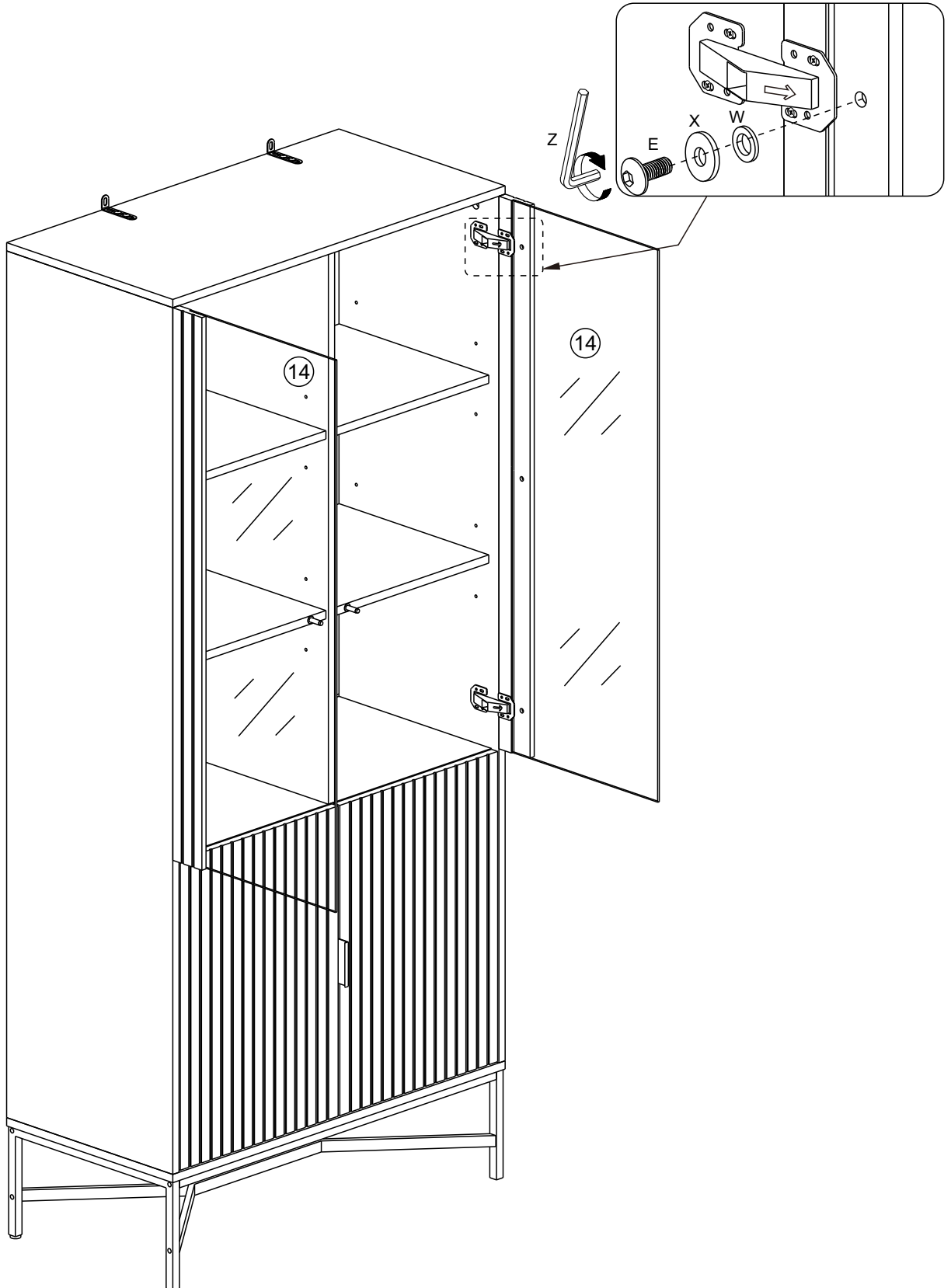


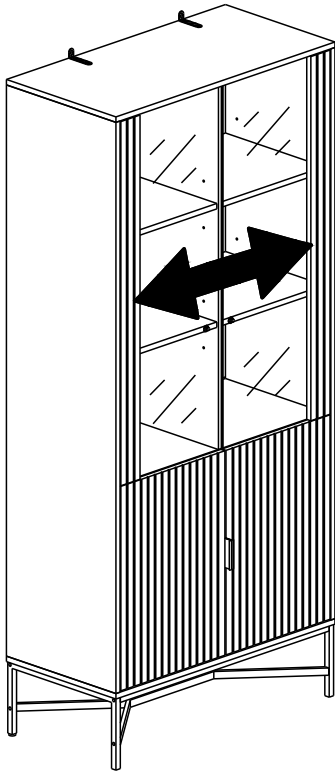
# 31



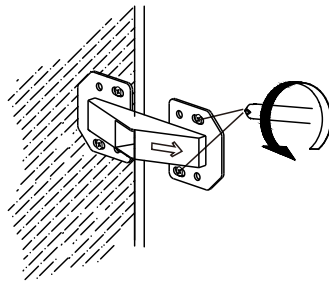
# 32

E x 6  M6x16 mm	W x 6  Ø16/Ø8 mm	X x 6  Ø18 mm	Z x 1  4 mm
--	---	--	--

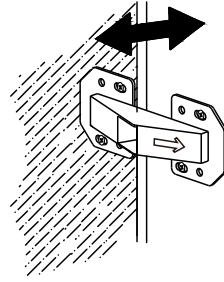




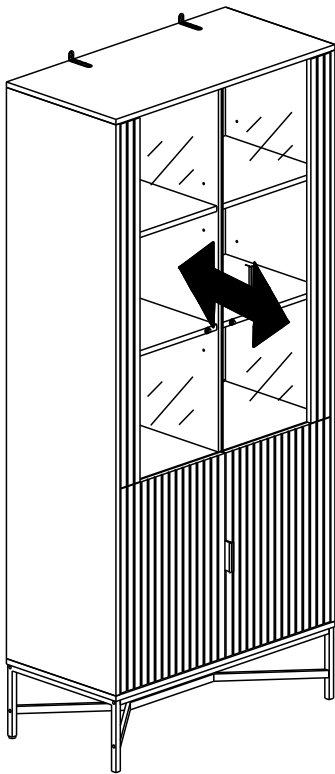
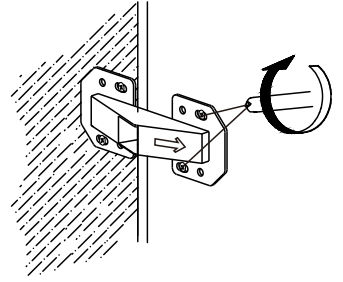
I



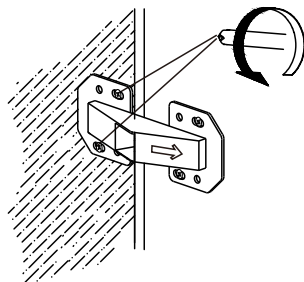
II



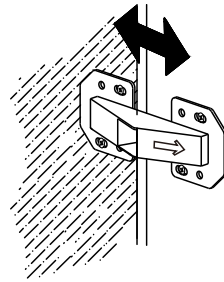
III



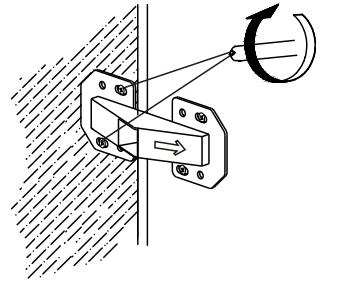
I



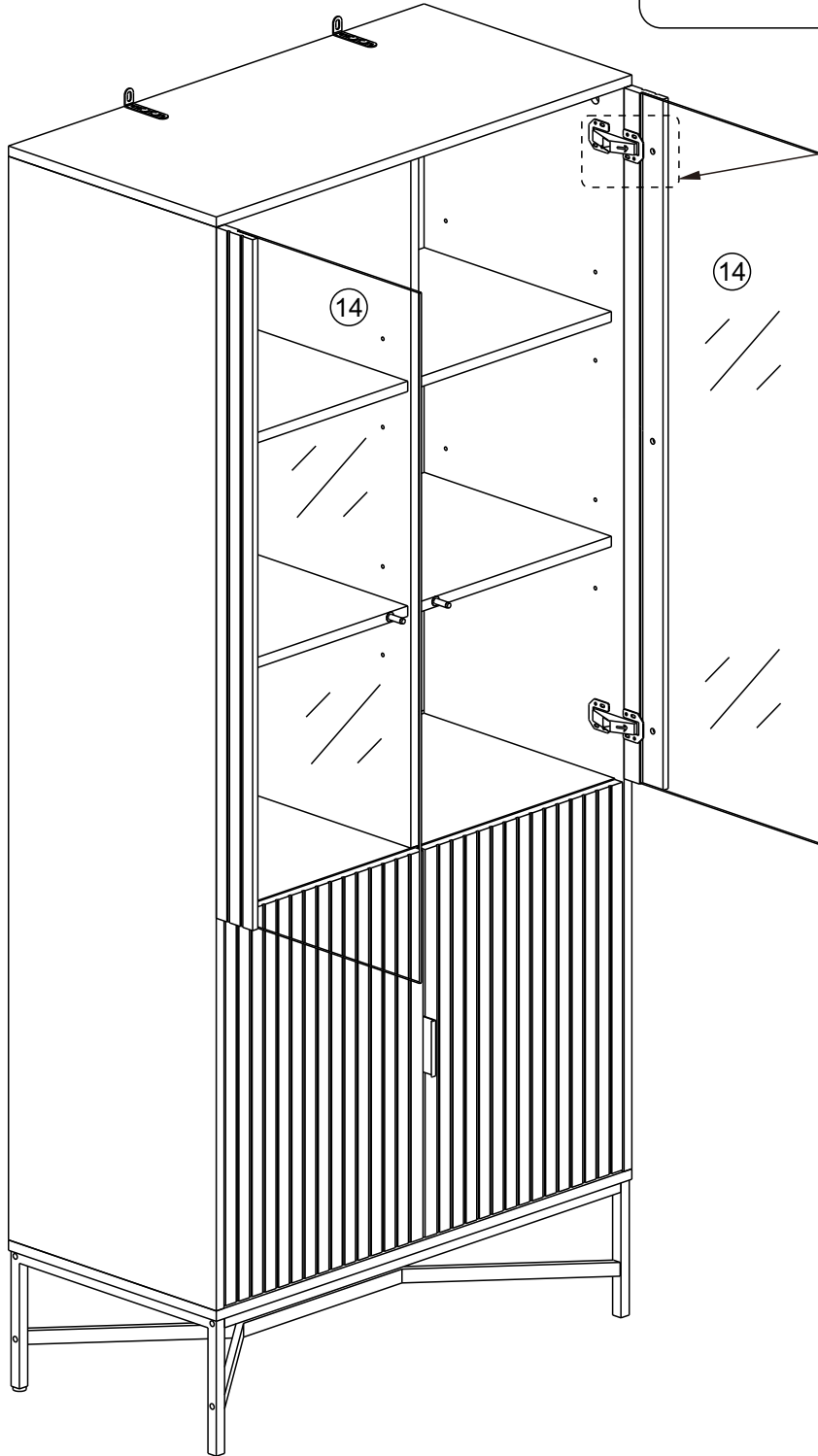
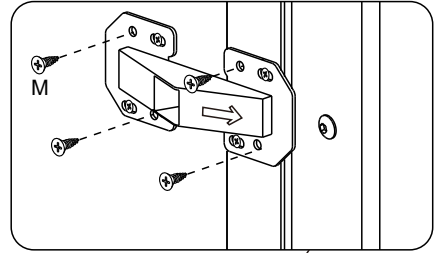
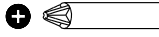
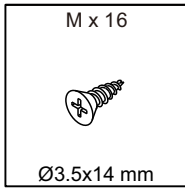
II

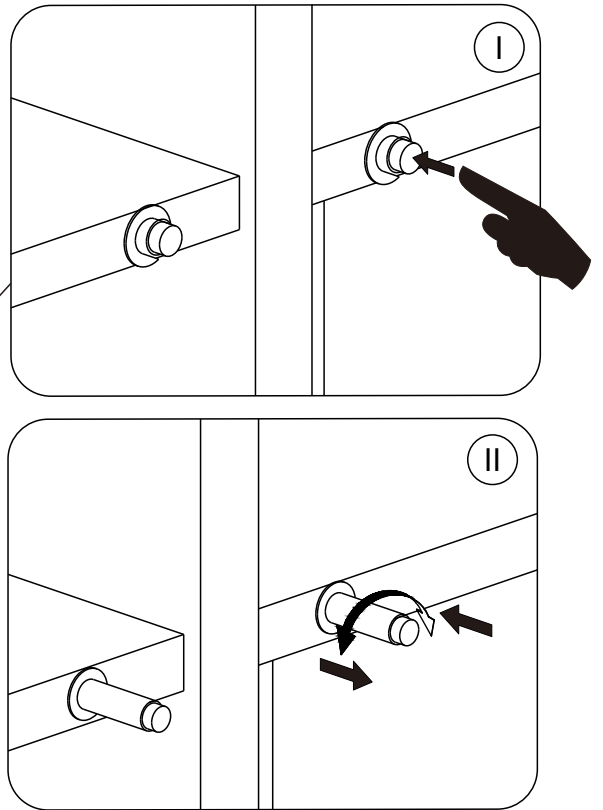
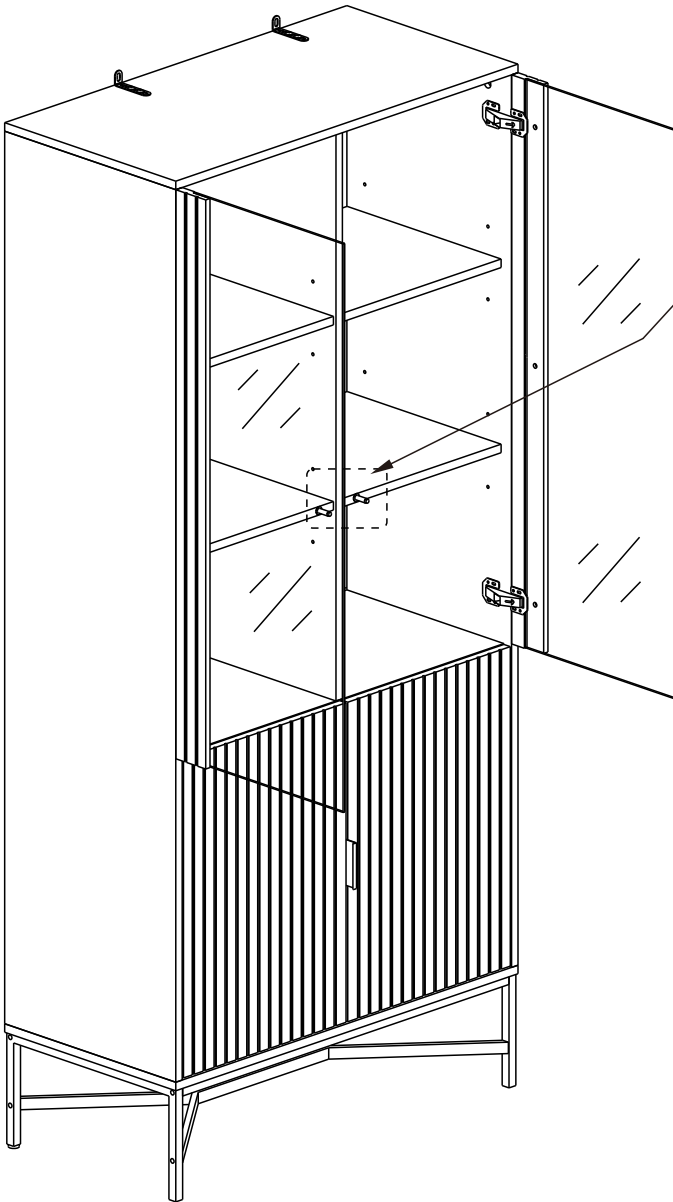


III



# 34





36

