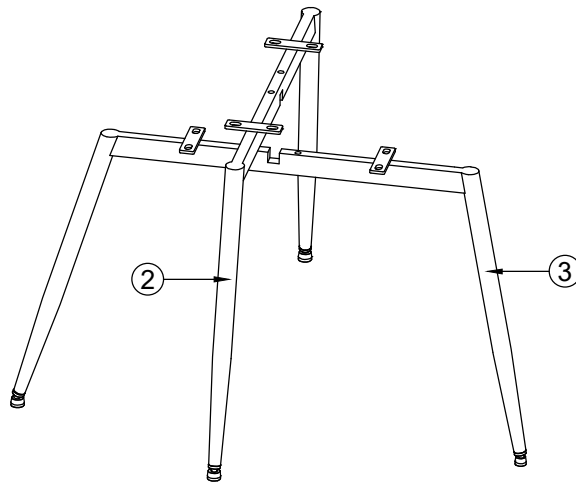
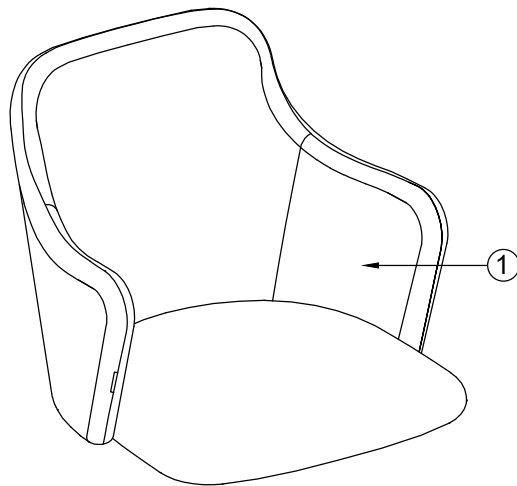
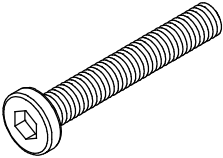
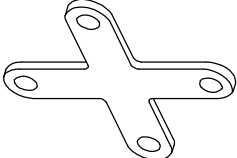
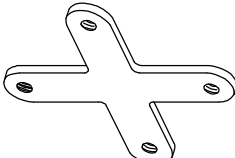
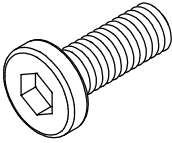
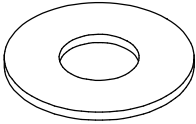
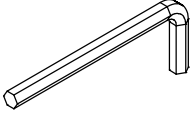
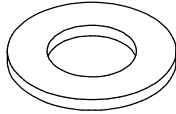
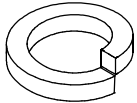
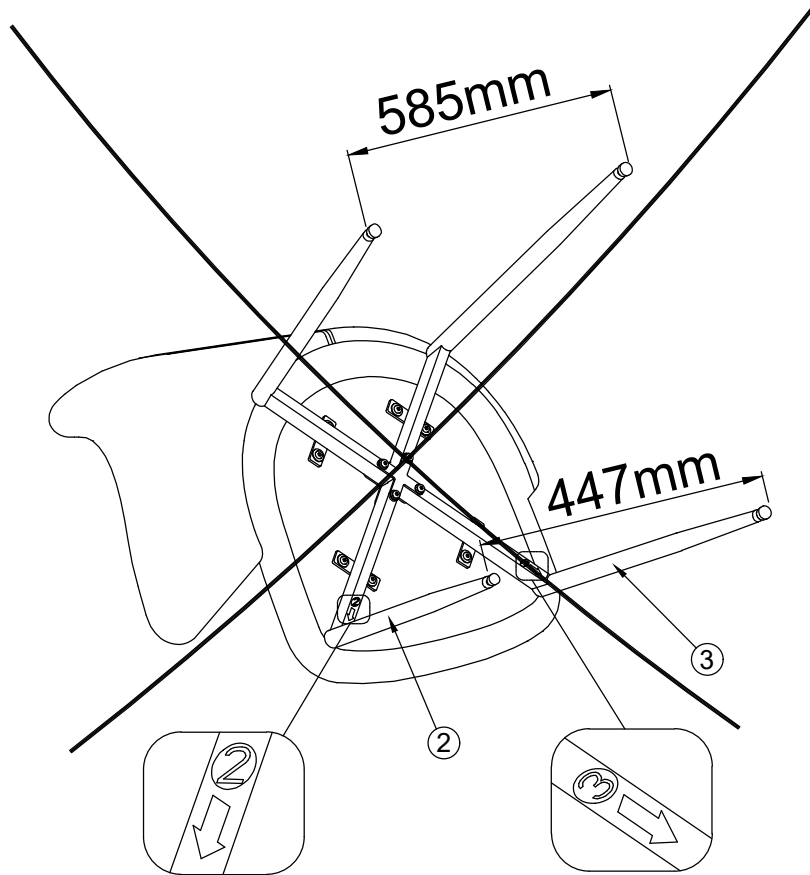
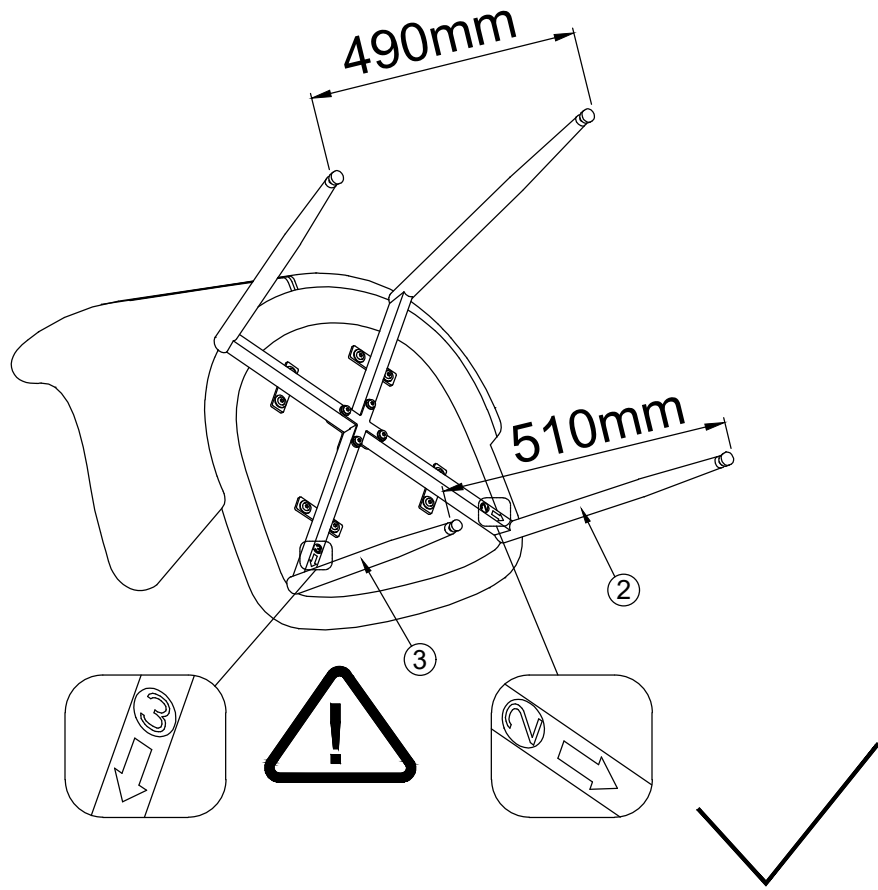


			✓
①	1	545X580X415	
②	1	720X435X75	
③	1	720X435X75	

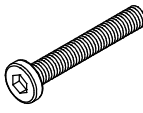
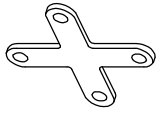
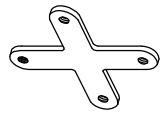


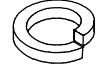


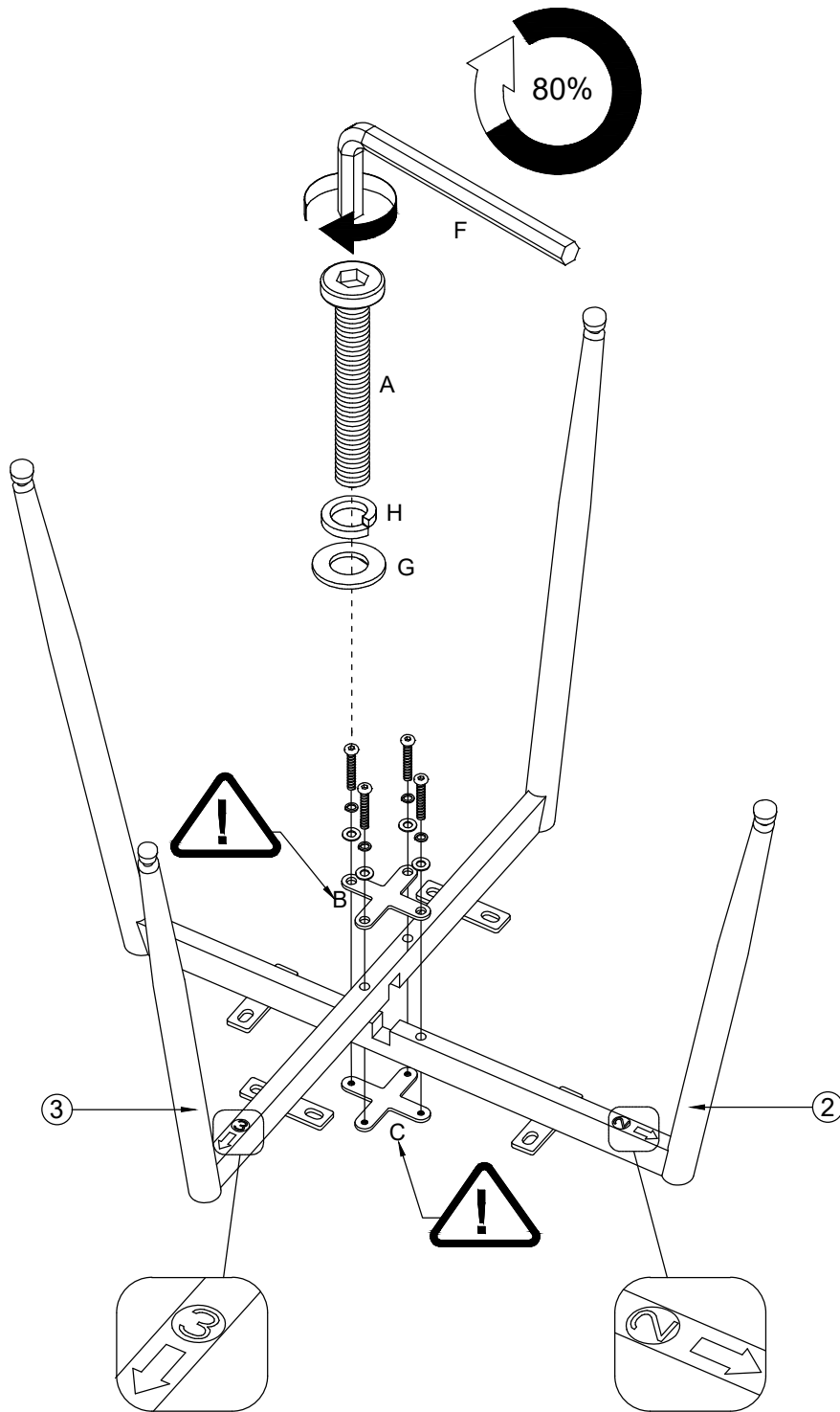
<p>A x 4</p>  <p>M6x40 mm</p>	<p>B x 1</p>  <p>79x79x3 mm</p>	<p>C x 1</p>  <p>79x79x3 mm</p>	<p>D x 8</p>  <p>M6x18 mm</p>	<p>E x 8</p>  <p>Ø6/Ø18 mm</p>
<p>F x 1</p>  <p>4 mm</p>	<p>G x 4</p>  <p>Ø6/Ø14 mm</p>	<p>H x 4</p>  <p>Ø6 mm</p>		

1

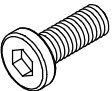




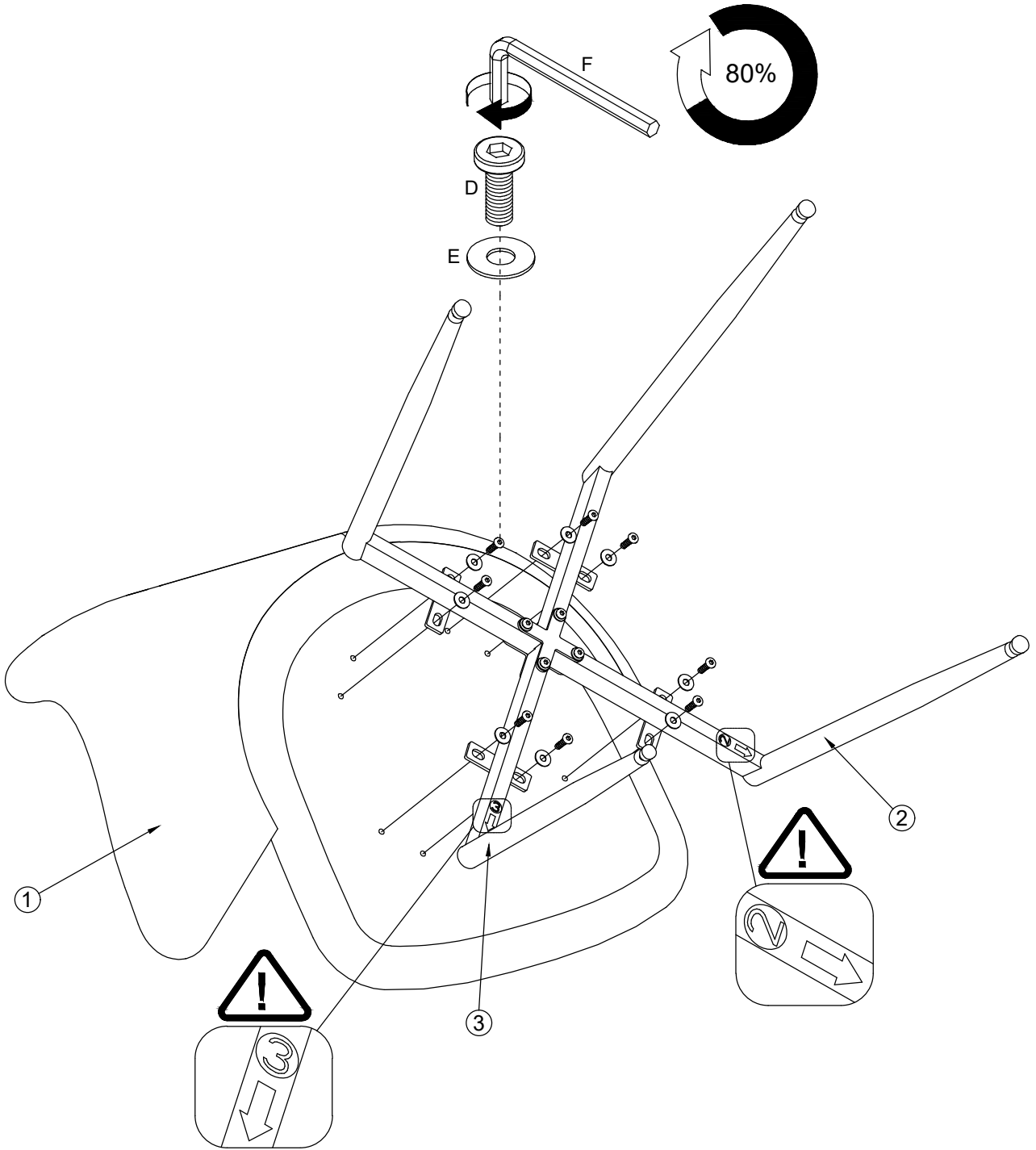
# 2

A x 4  M6x40 mm	B x 1  79x79x3 mm	C x 1  79x79x3 mm	F x 1  4 mm	G x 4  Ø6/Ø14 mm	H x 4  Ø6 mm
--	--	--	--	---	---

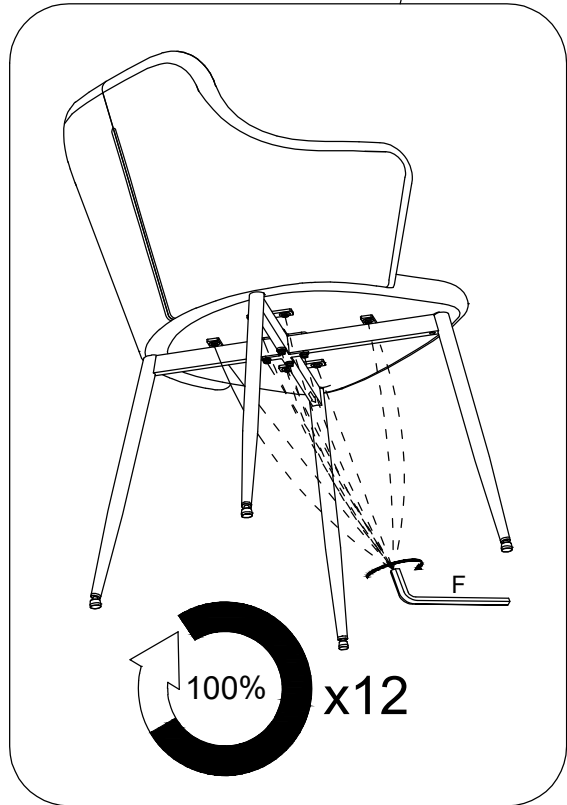
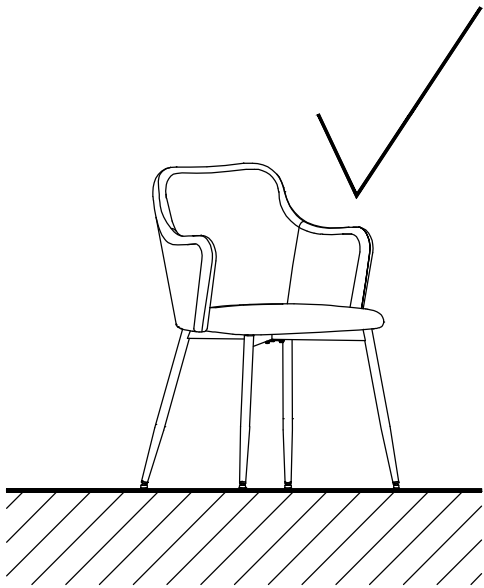
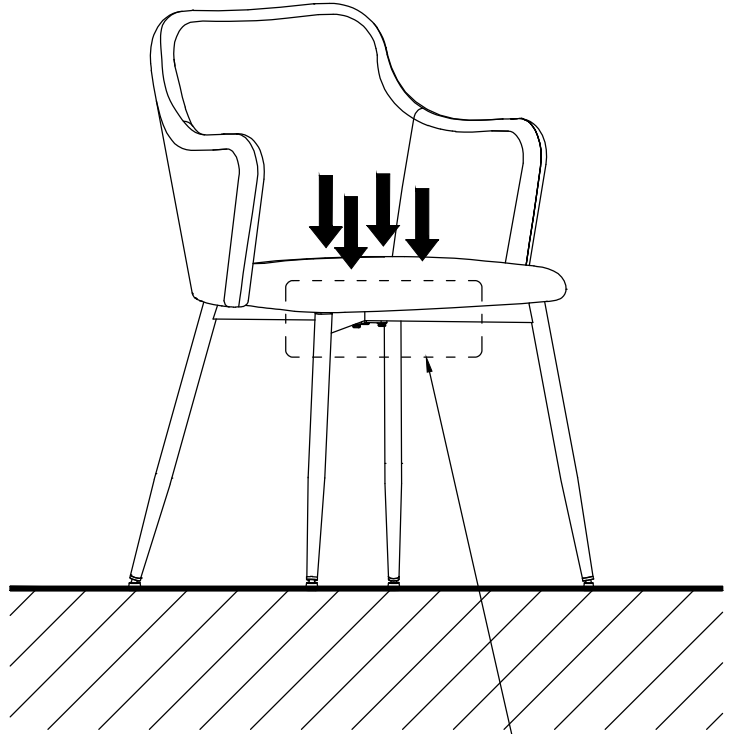
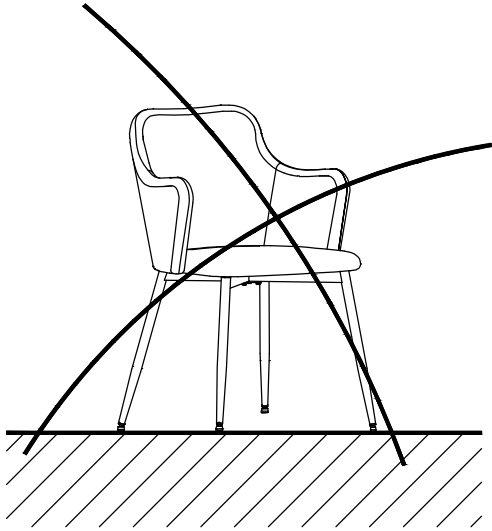
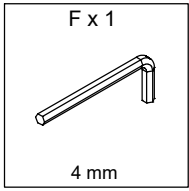


# 3

D x 8  M6x18 mm	E x 8  Ø6/Ø18 mm	F x 1  4 mm
--	---	--



4



5

